



American
Decorative
Ceilings
& Walls



**AMERICAN
DECORATIVE CEILINGS
& WALLS**

4510 East 71st Street
Cleveland, OH 44105
Office (216) 341-2222
Fax (800) 336-8501
Web www.am-dec.com

COPYRIGHT © 2014

Standard CLOUDLINER

☐ Clouliner Stnd. - Photo



☐ Clouliner CL Data

TRIM SIZES: Stocking are 2"; 4" & 6". Standard are same + 8"; 10"; 12". Non-stocking are in 1" increments to 24". Standard Length is 12' for straight sections.

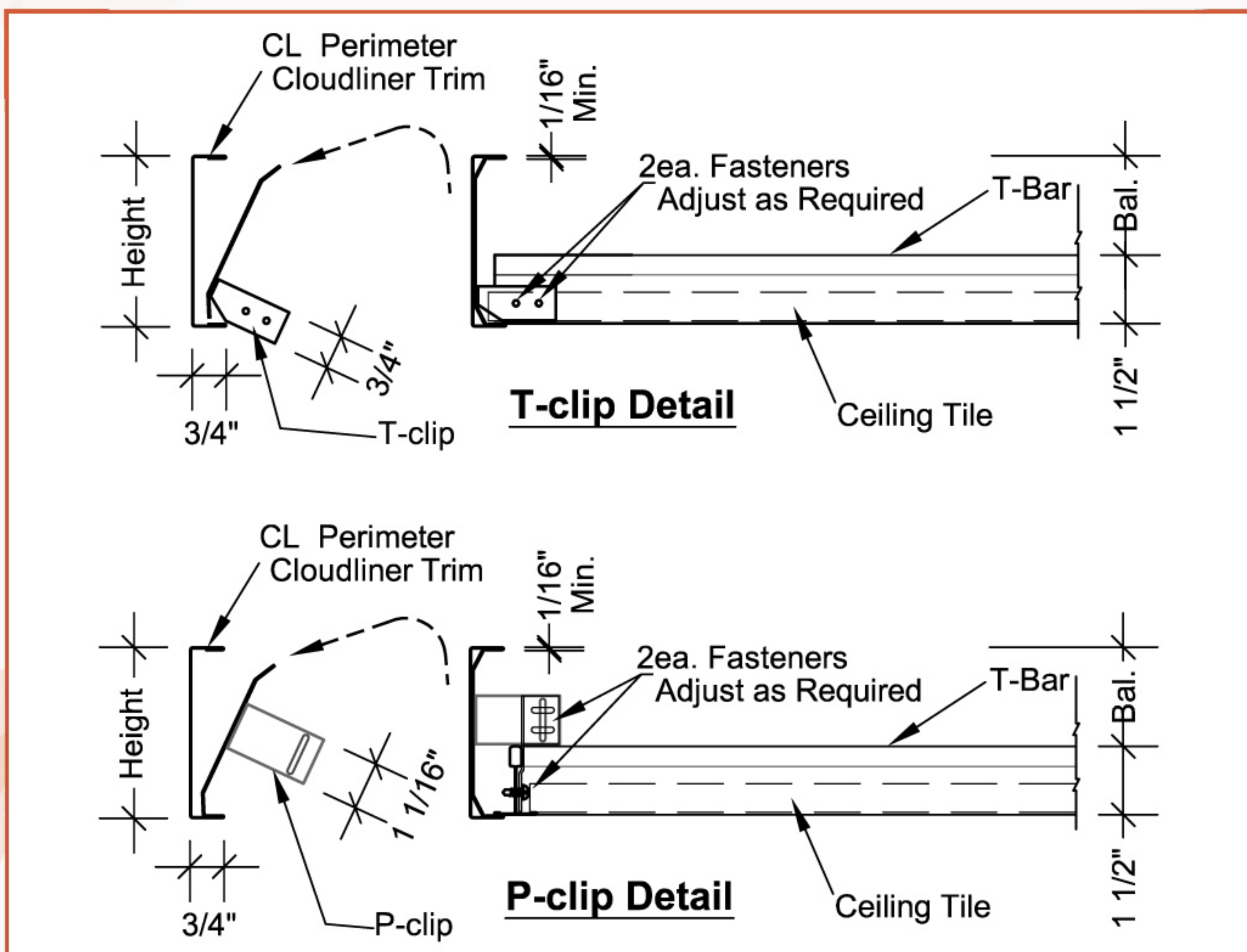
FINISHES: Standard metal are White, Satin Silver, or Gun Metal. Custom Painted are polyurethane epoxy. Premo Wood Laminate are Maple, Cherry, and Walnut.

FIRE CODE: Panel is Class 1 Material per ASTM-E84. Fire-Rated T-Bar Suspension available upon request.

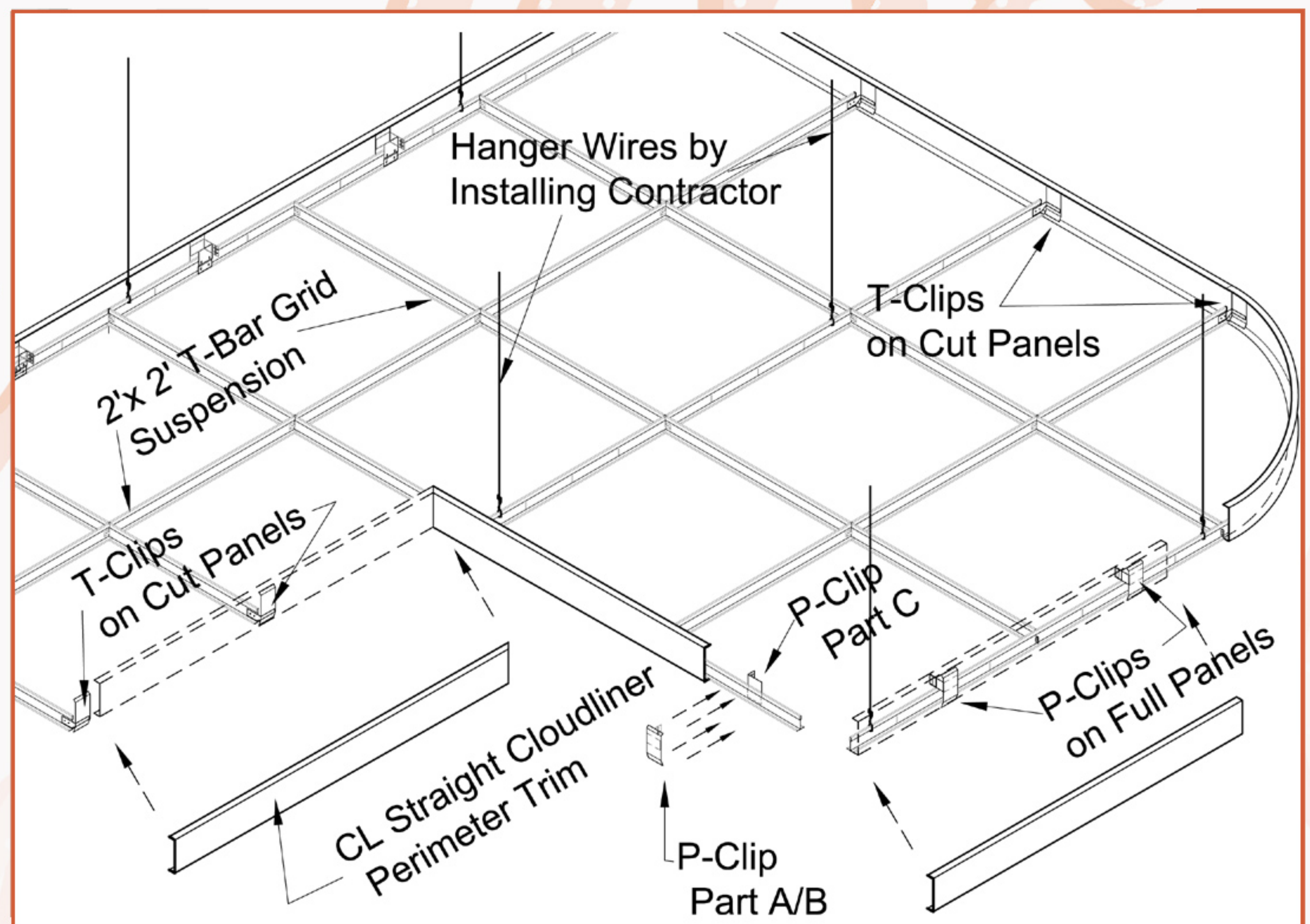
MATERIAL: Recommended minimum for Flange legs of Clouliner Profile is 1/16" thickness aluminum.

LEEDs: Upto 90% for aluminum panel, 20% galvanized.

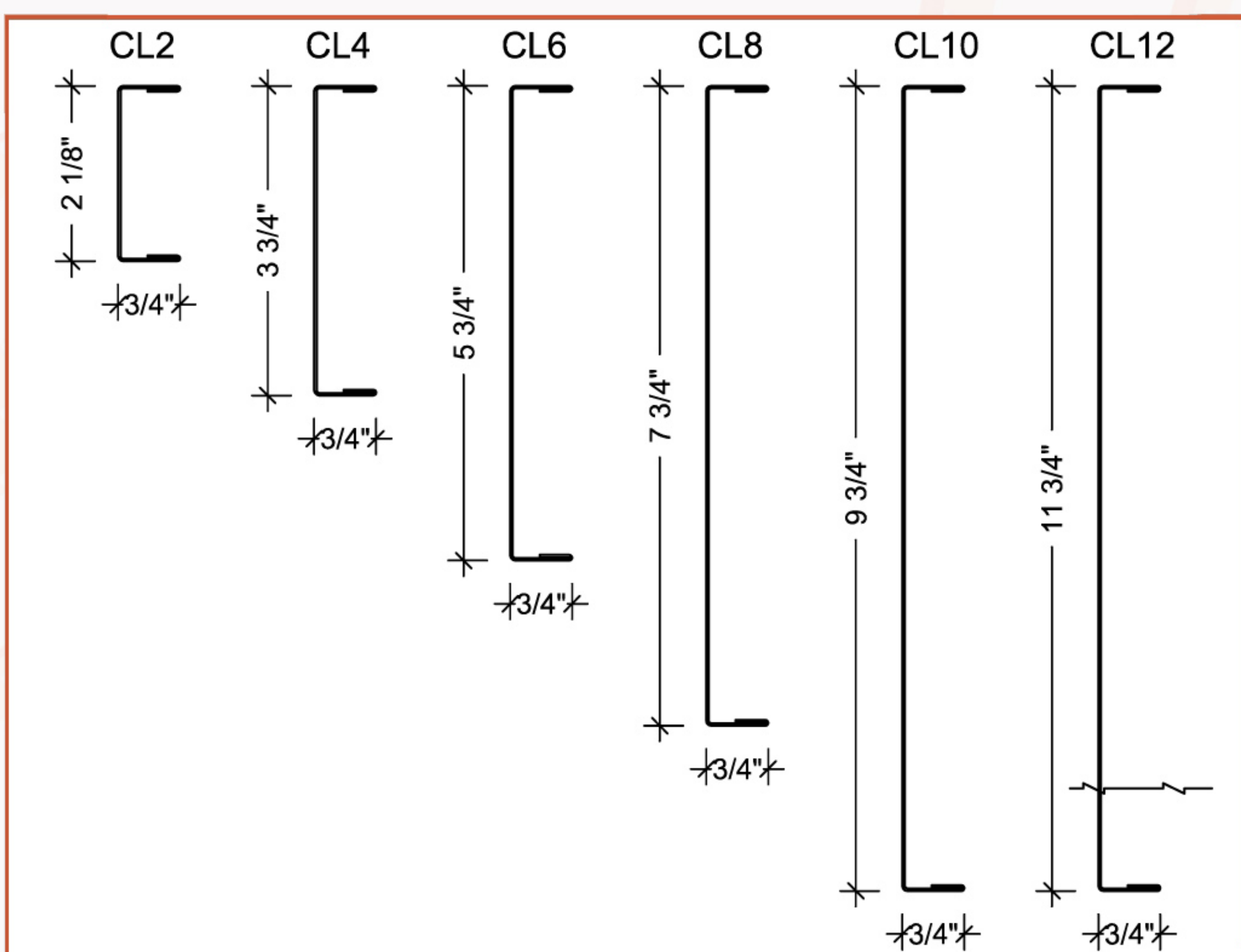
☐ Attachment Options



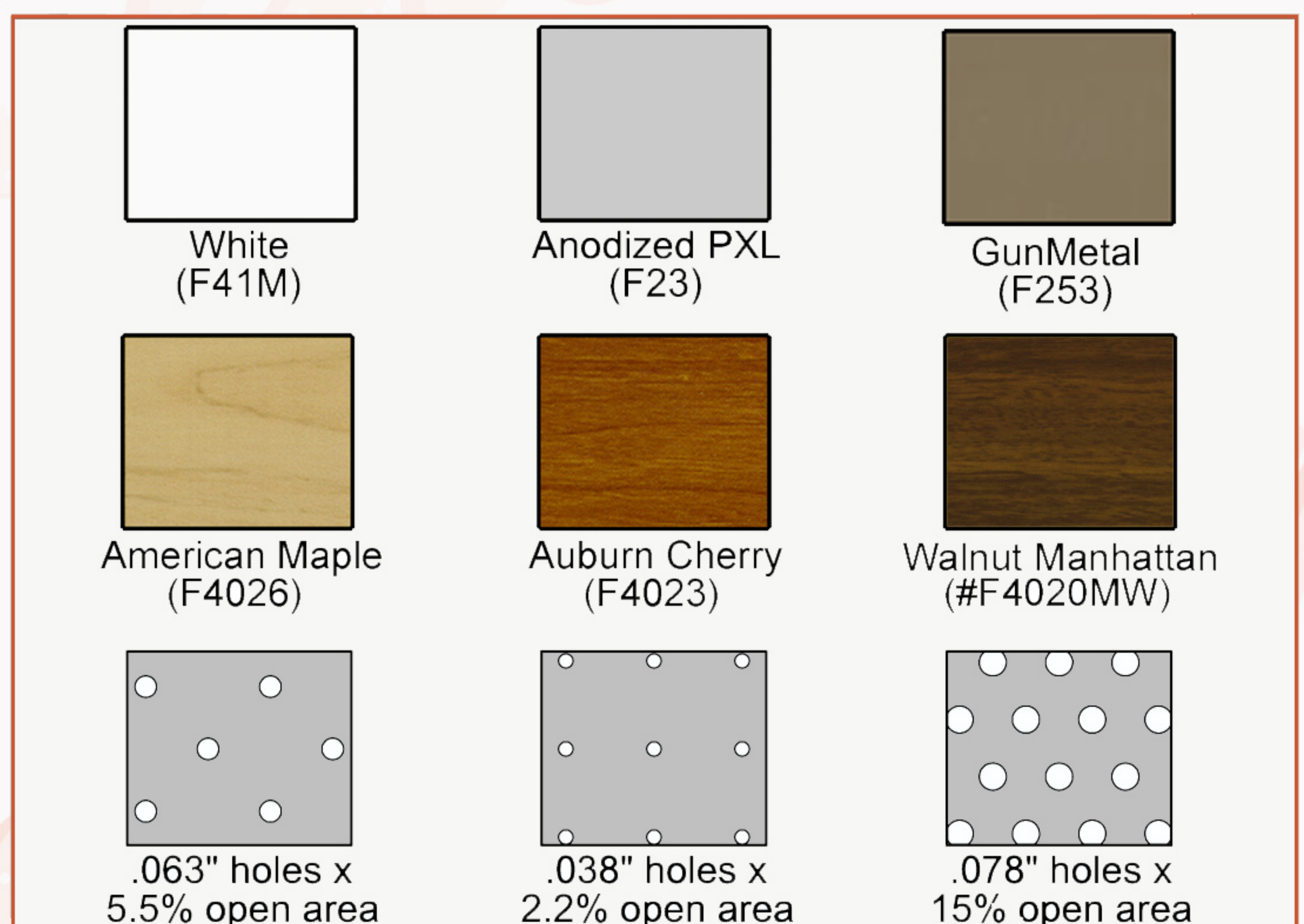
☐ Installation



☐ Standard Heights

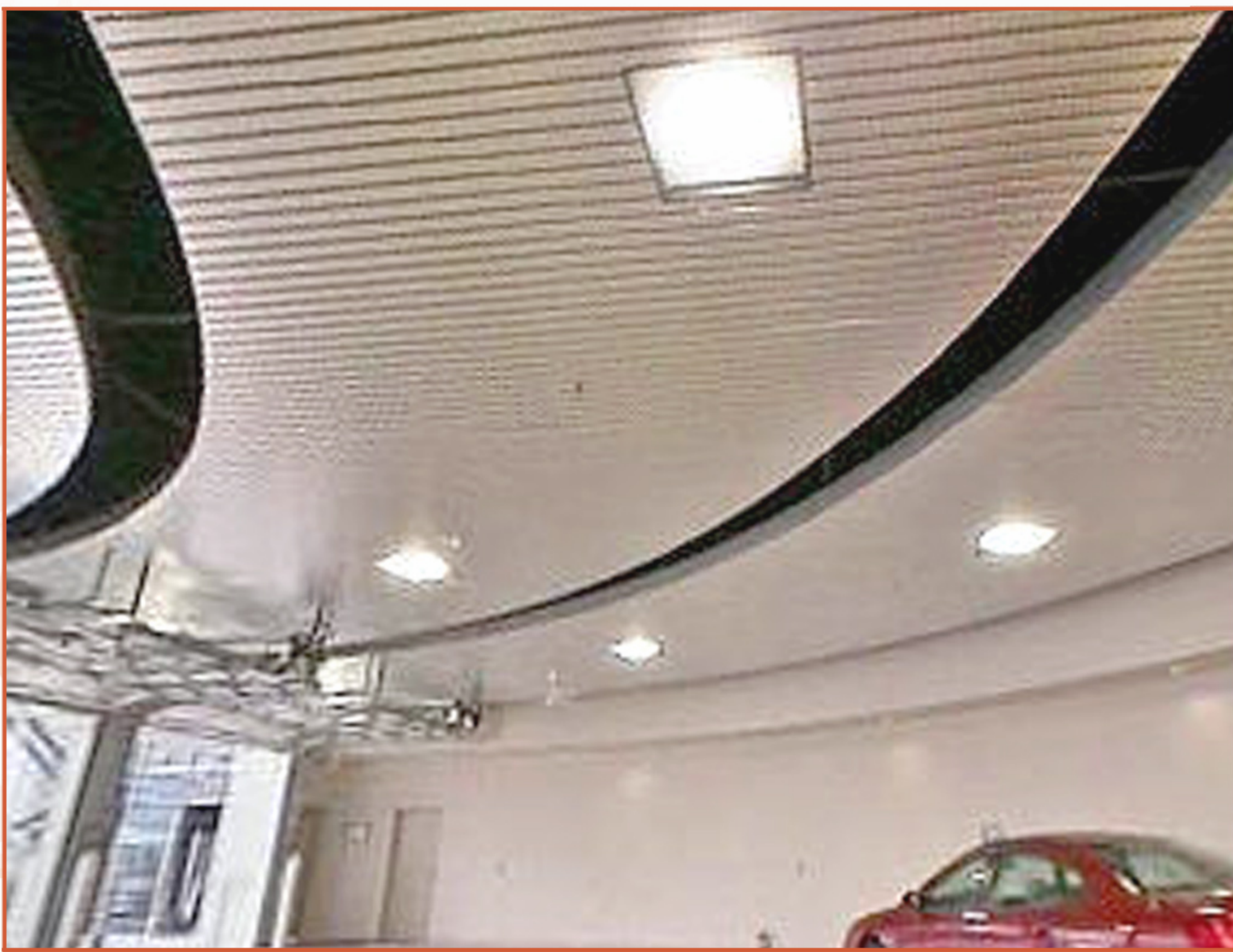


☐ Popular Finish/ Perf



Radiused CLOUDLINER

☐ Clouliner Radiused - Photo



☐ Clouliner CLR Data

TRIM SIZES: Stocking are 2"; 4" & 6". Standard are same + 8"; 10"; 12". Non-stocking are in 1" increments to 24". Standard Length is 12' for straight sections.

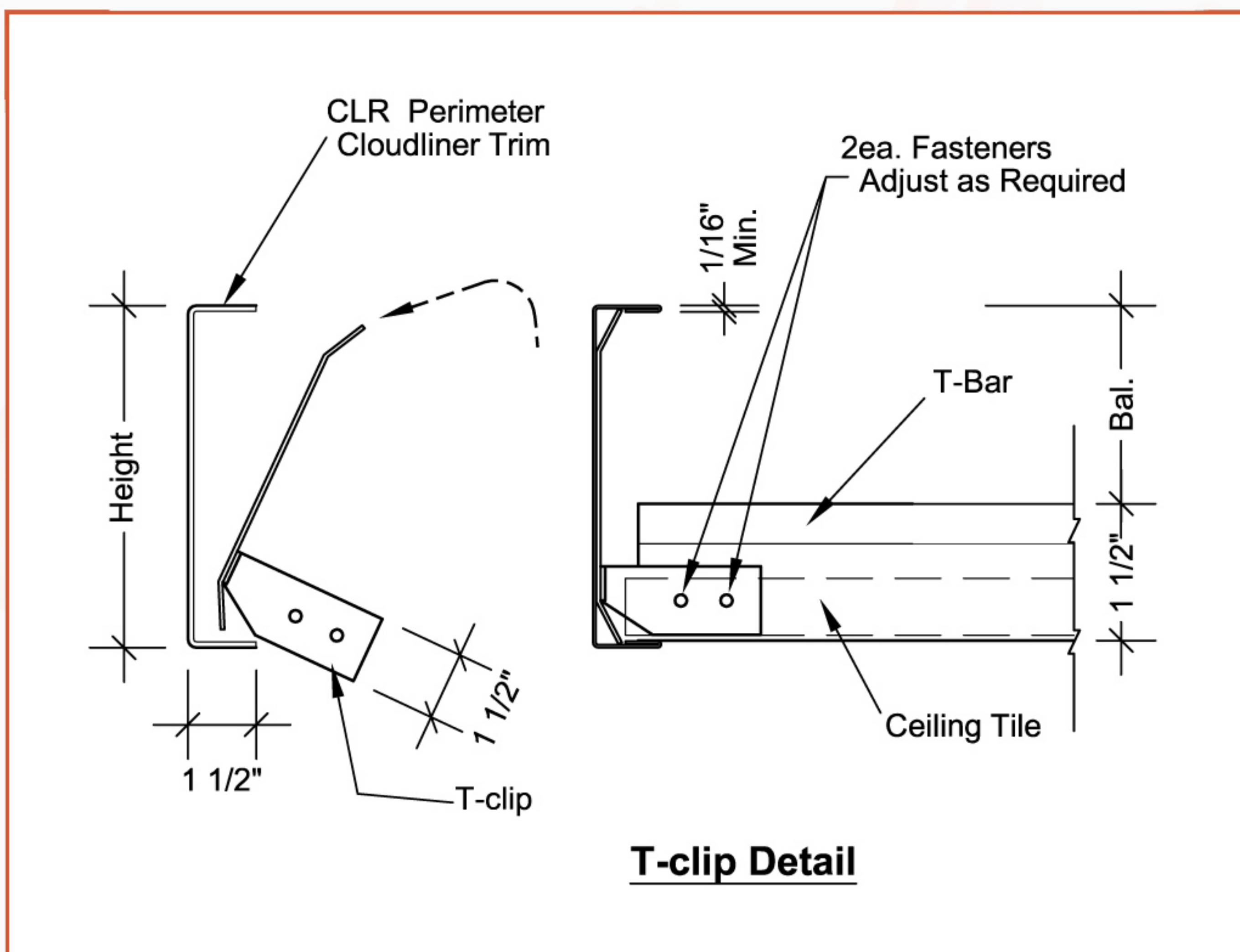
FINISHES: Standard metal are White, Satin Silver, or Gun Metal. Custom Painted are polyurethane epoxy. Premo Wood Laminate are Maple, Cherry, and Walnut.

FIRE CODE: Panel is Class 1 Material per ASTM-E84. Fire-Rated T-Bar Suspension available upon request.

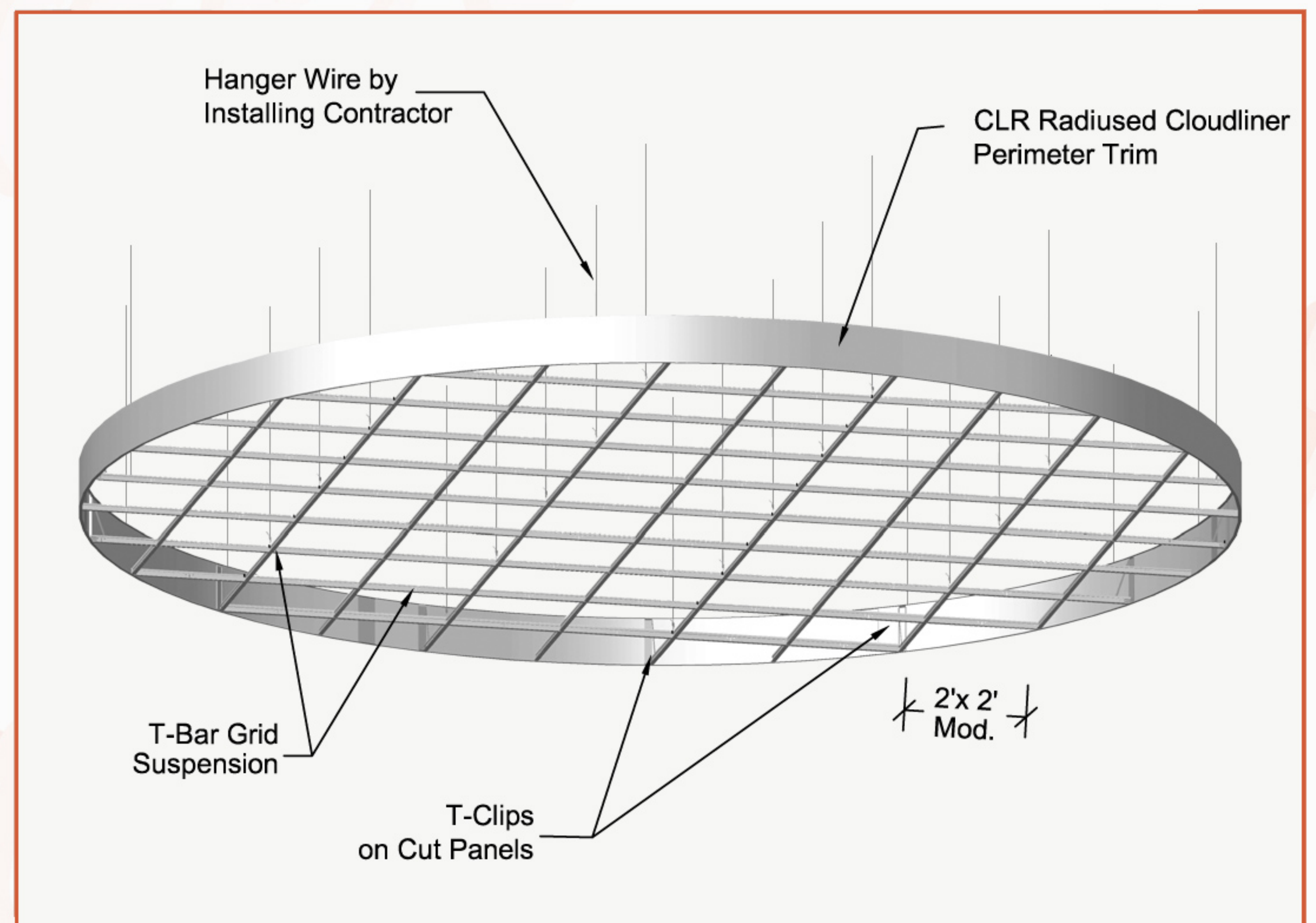
MATERIAL: Recommended minimum for Flange legs of Cloudliner Profile is 1/16" thickness aluminum.

LEEDs: Upto 90% for aluminum panel, 20% galvanized.

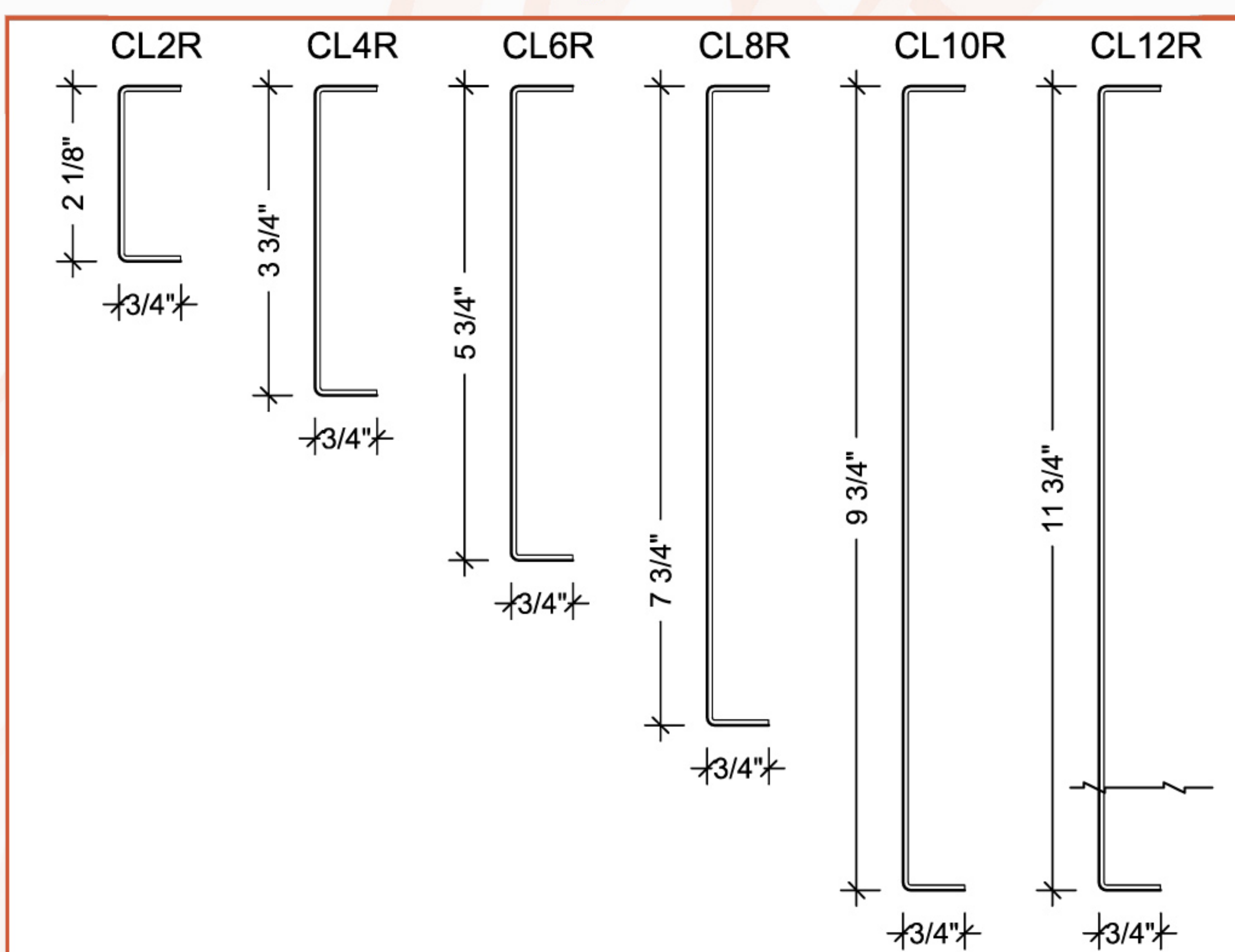
☐ Attachment Detail



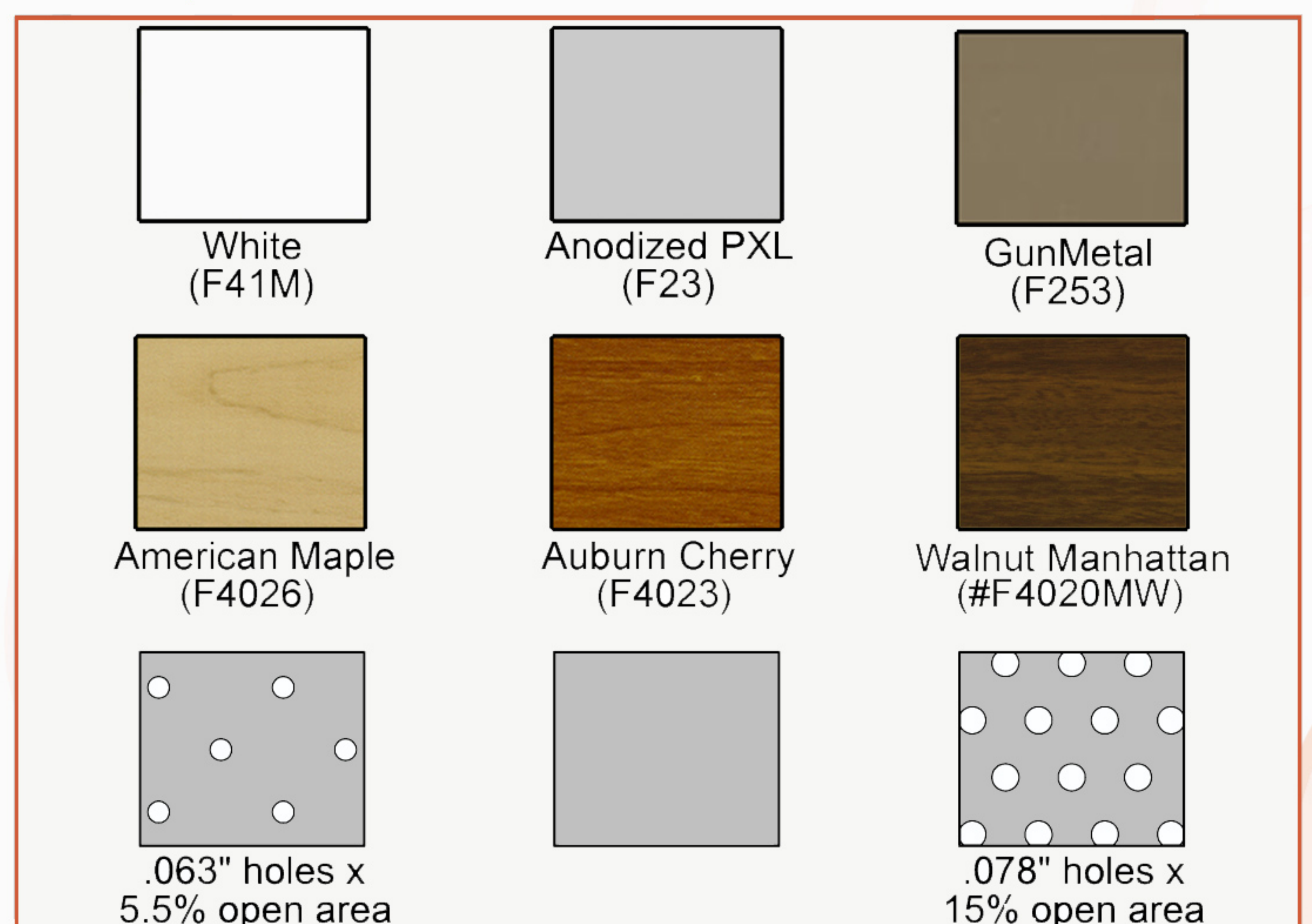
☐ Installation



☐ Standard Heights



☐ Popular Finish/ Perf



**AMERICAN DECORATIVE
CEILINGS & WALLS**

(ALL RIGHTS RESERVED)

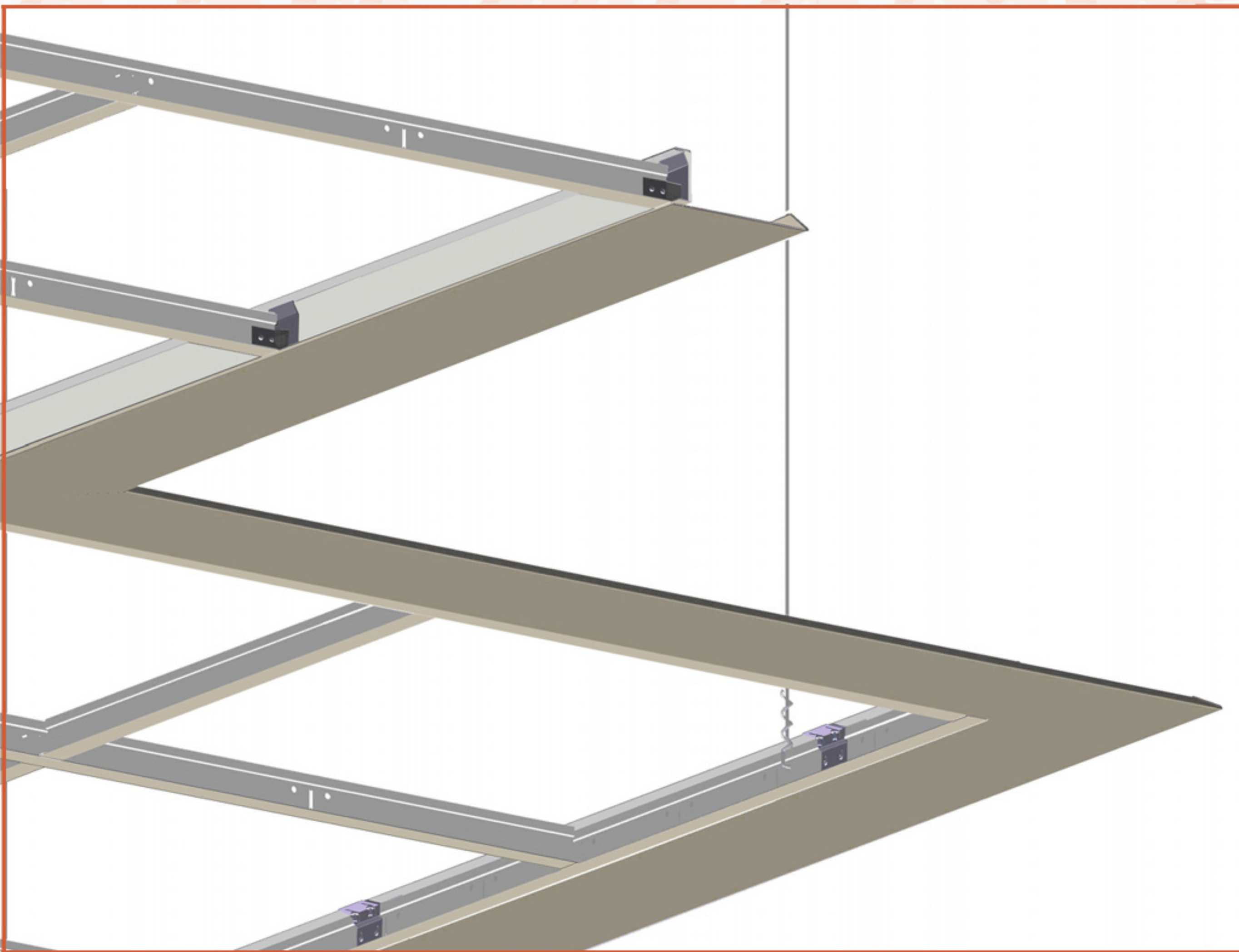
CL_CS_RADIUSED_PG3.PDF

Mail: Post Office Box 605605 - Cleveland, Ohio 44105
 Packages: 4510 East 71st St. - Cleveland, Ohio 44105
 Telephone: (216) 341-2222 - Fax: (800) 336-8501
 email: info@amer-dec.com

CL3

Extended Blade CLOUDLINER

☐ Clouliner 2XT - Photo



☐ Clouliner 2XT Data

TRIM SIZES: Standard face width is 6"; Optional face widths are 2" & 4".
Standard Length is 12' for straight sections.

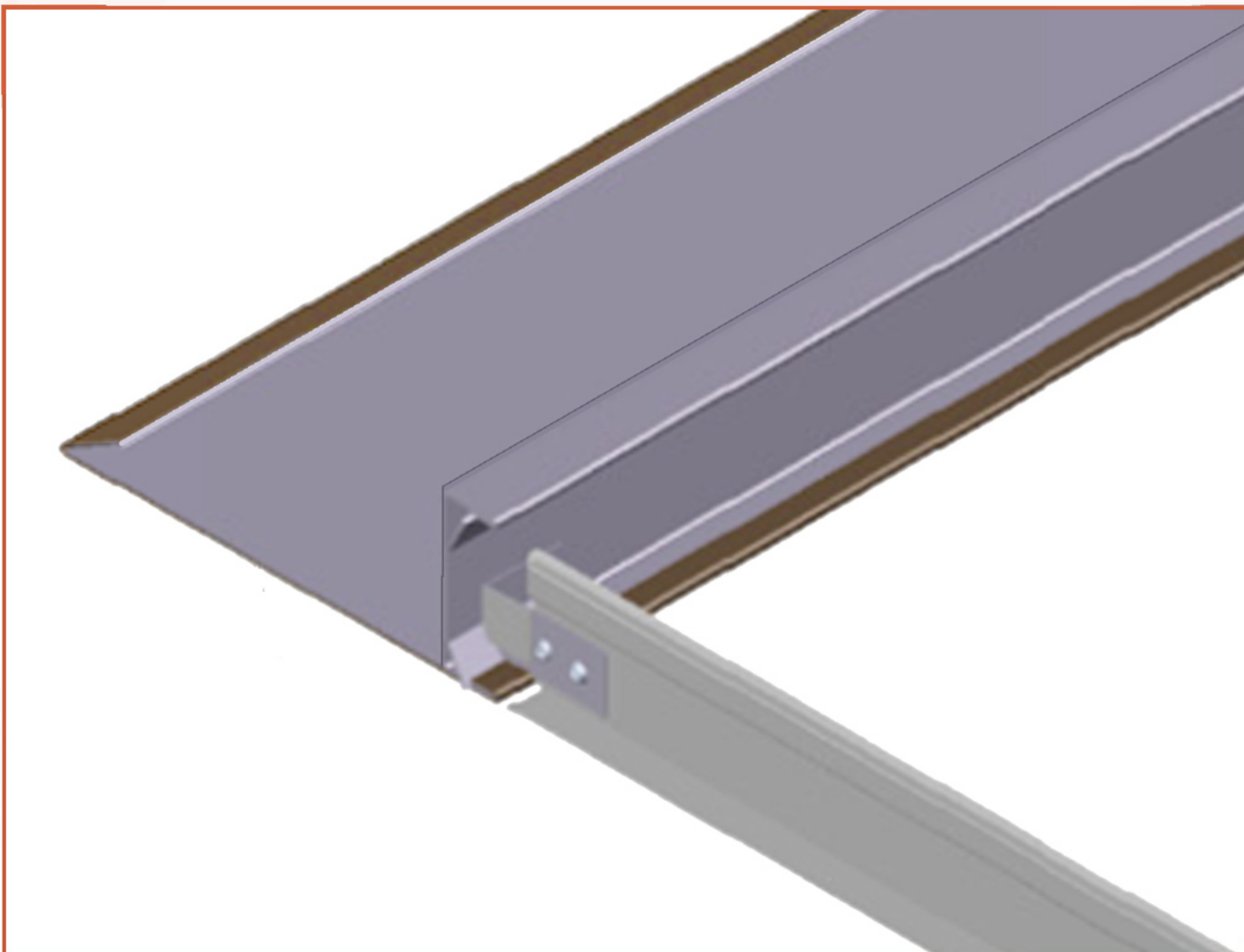
FINISHES: Standard metal are White, Satin Silver, or Gun Metal. Custom Painted are polyurethane epoxy. Premo Wood Laminate are Maple, Cherry, and Walnut.

FIRE CODE: Panel is Class 1 Material per ASTM-E84. Fire-Rated T-Bar Suspension available upon request.

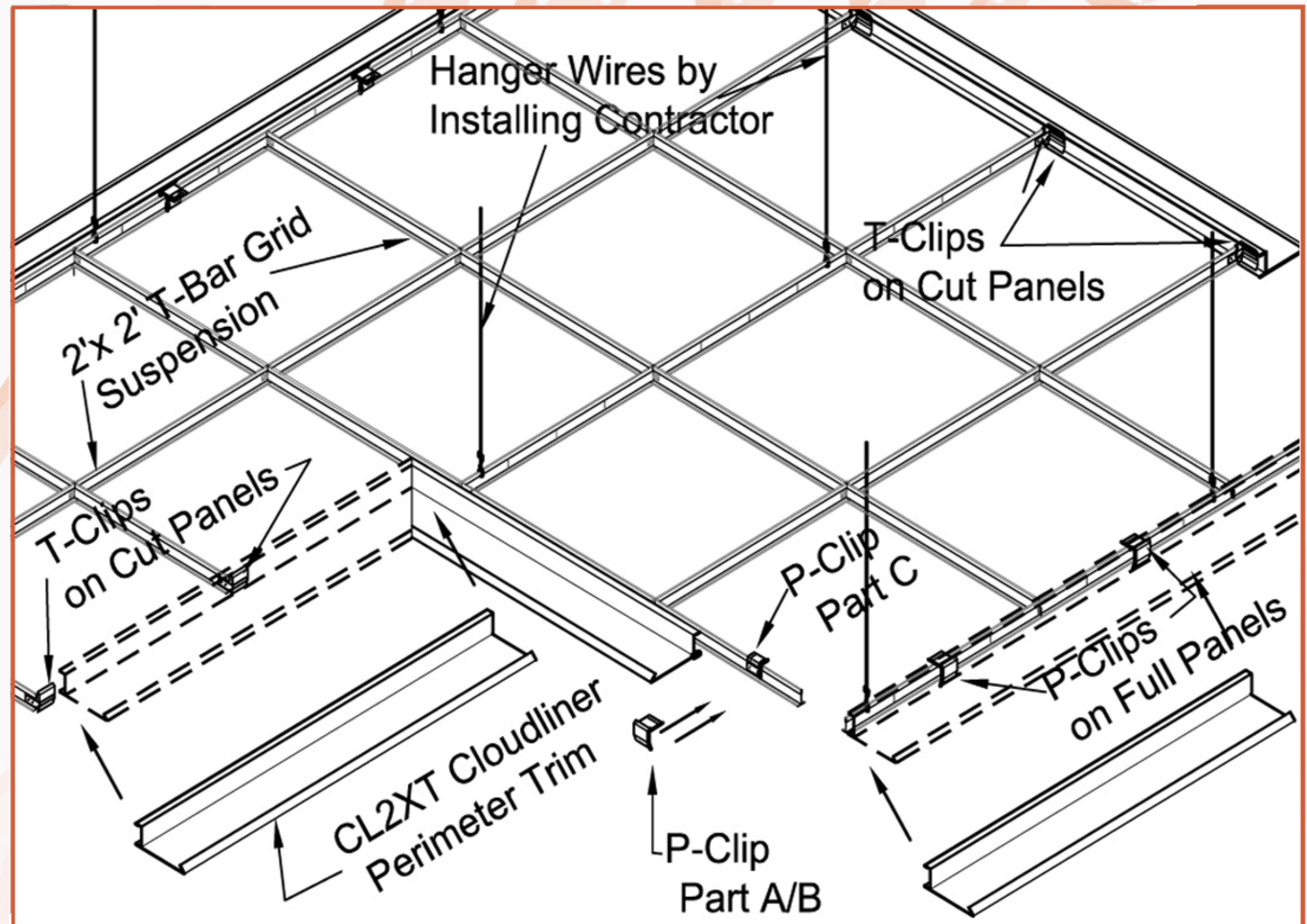
MATERIAL: Recommended minimum for Flange legs of Clouliner Profile is 1/16" thickness aluminum.

LEEDs: Upto 90% for aluminum panel, 20% galvanized.

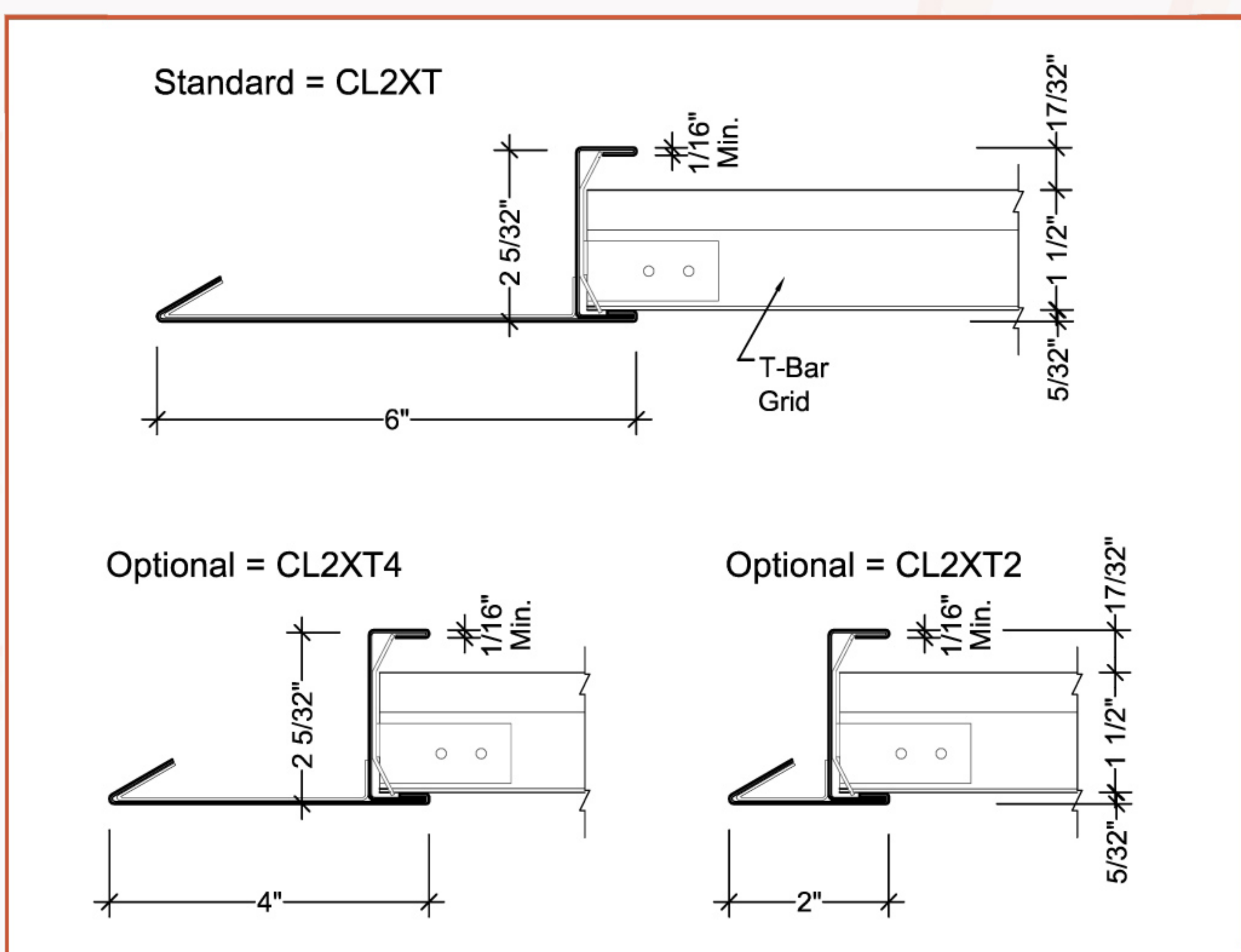
☐ Typical Section



☐ Installation



☐ Available Face Widths



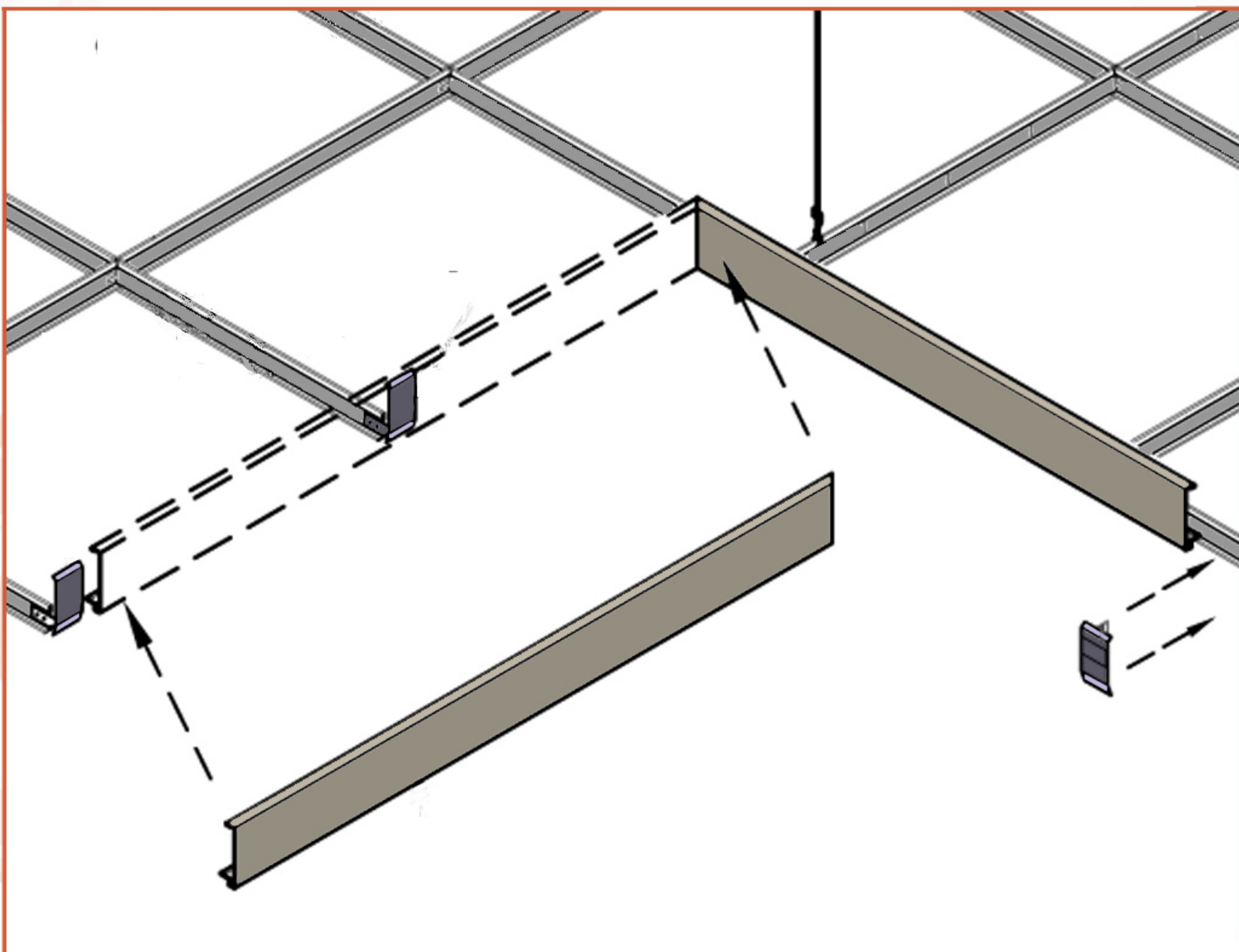
☐ Standard Finish/ Perf

White (F41M)	Anodized PXL (F23)	GunMetal (F253)
American Maple (F4026)	Auburn Cherry (F4023)	Walnut Manhattan (#F4020MW)
.063" holes x 5.5% open area	.038" holes x 2.2% open area	.078" holes x 15% open area



Reveal Edge CLOUDLINER

Cloudliner Reveal Edge



Cloudliner CLRE Data

TRIM SIZES: Standard are 2"; 4"; 6"; 8"; 10"; & 12".
Non-standard are in 1" increments to 24".
Standard Length is 12' for straight sections.

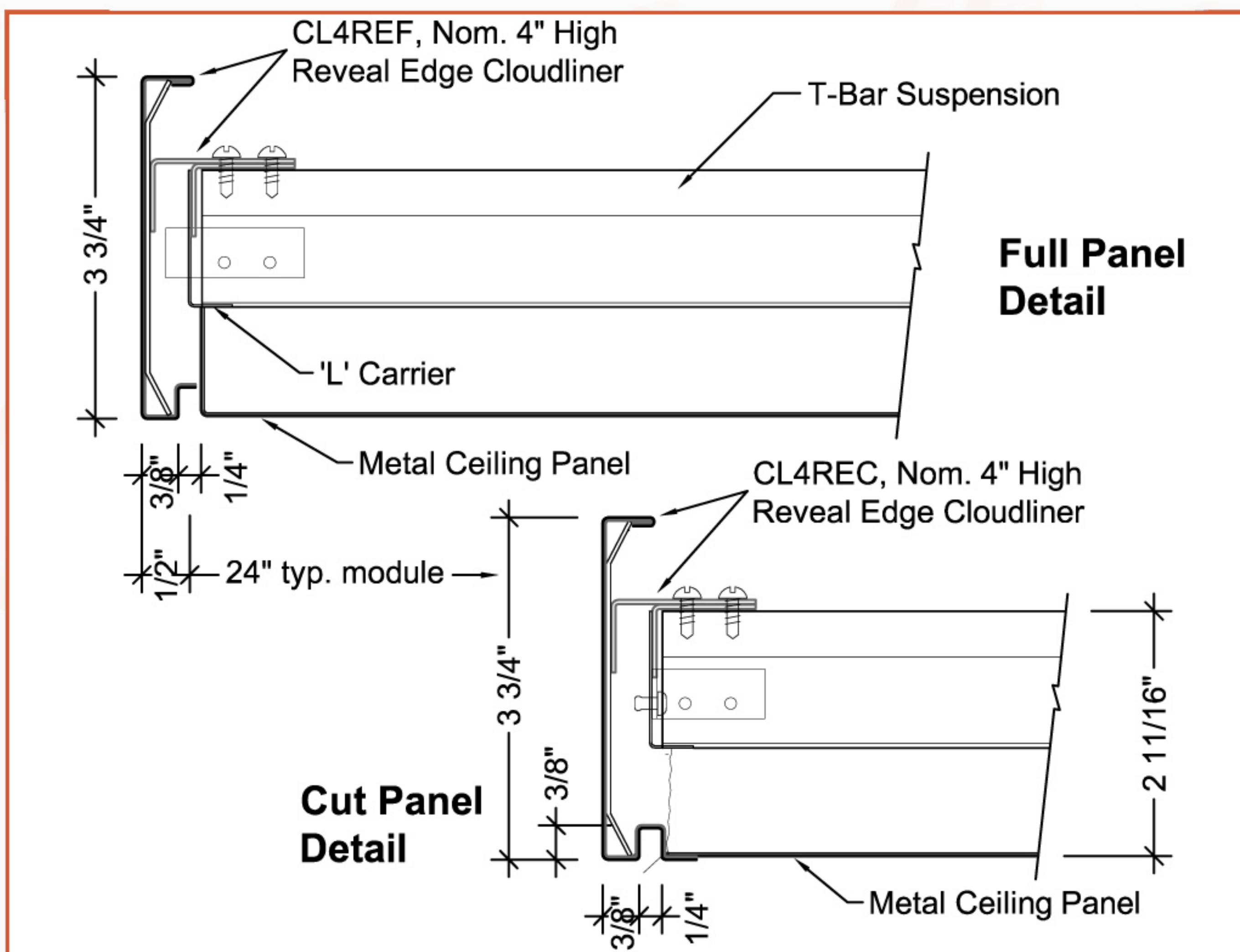
FINISHES: Standard metal are White, Satin Silver, or Gun Metal. Custom Painted are polyurethane epoxy. Premo Wood Laminate are Maple, Cherry, and Walnut.

FIRE CODE: Panel is Class 1 Material per ASTM-E84. Fire-Rated T-Bar Suspension available upon request.

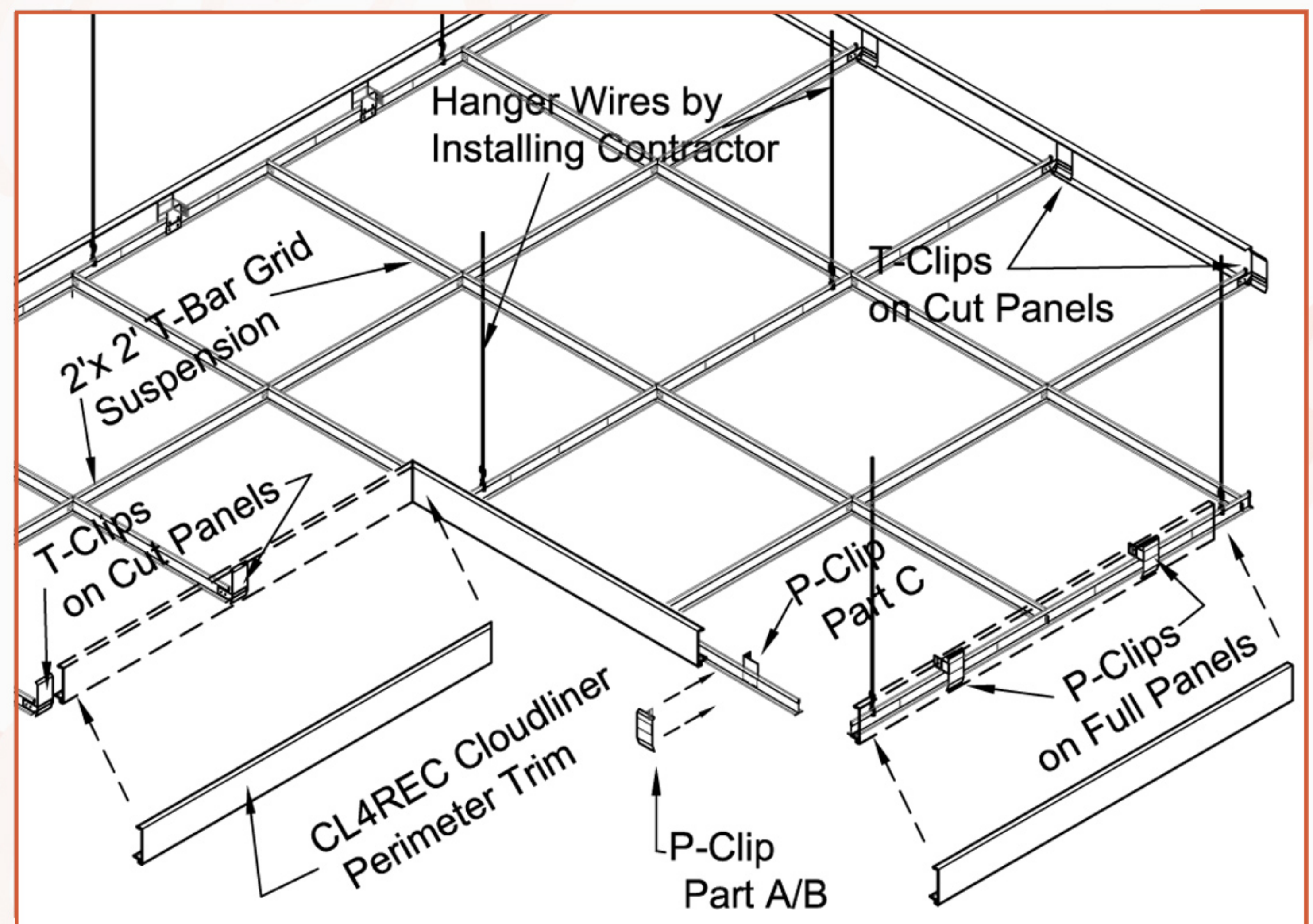
MATERIAL: Recommended minimum for Flange legs of Cloudliner Profile is 1/16" thickness aluminum.

LEEDs: Upto 90% for aluminum panel, 20% galvanized.

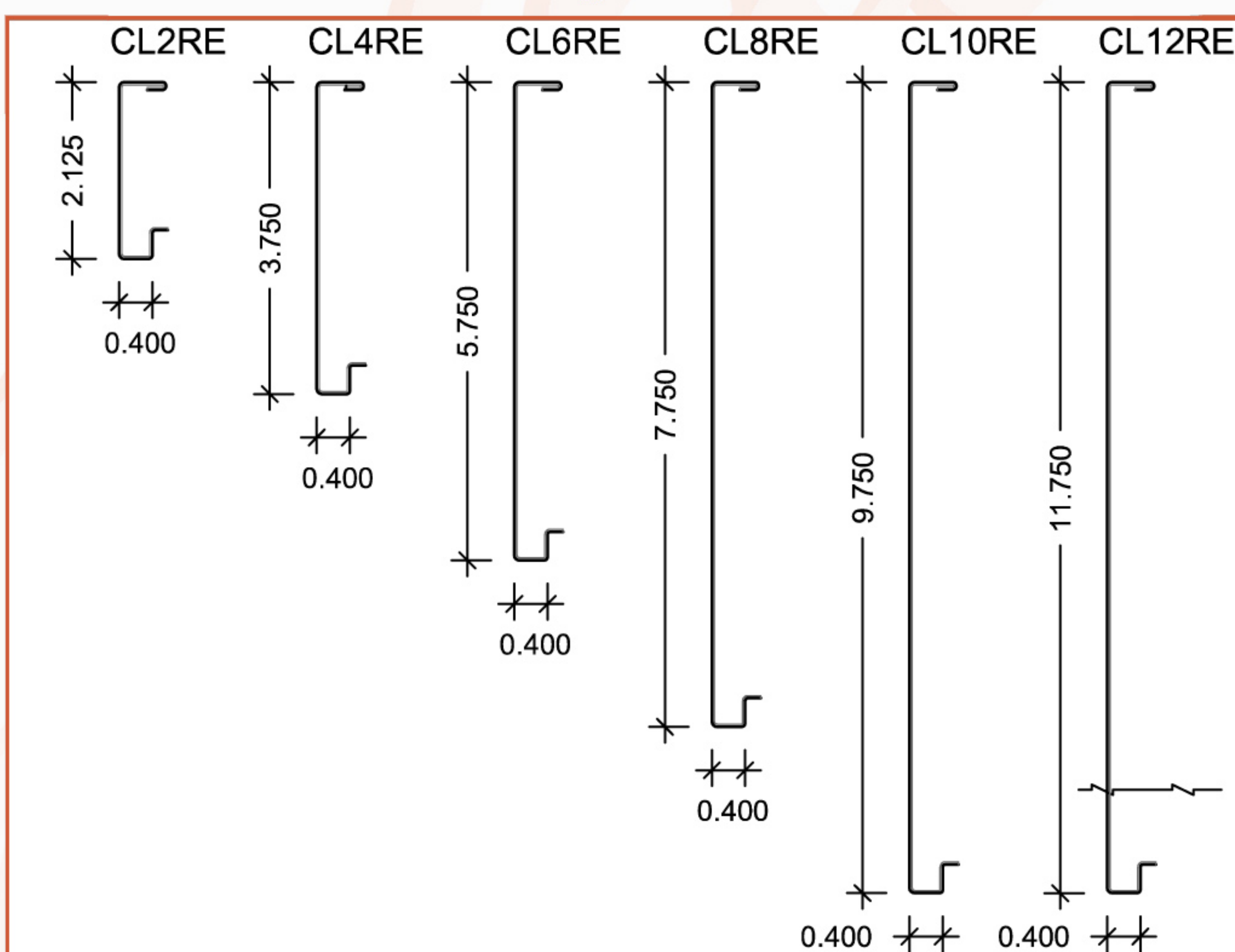
Attachment Detail



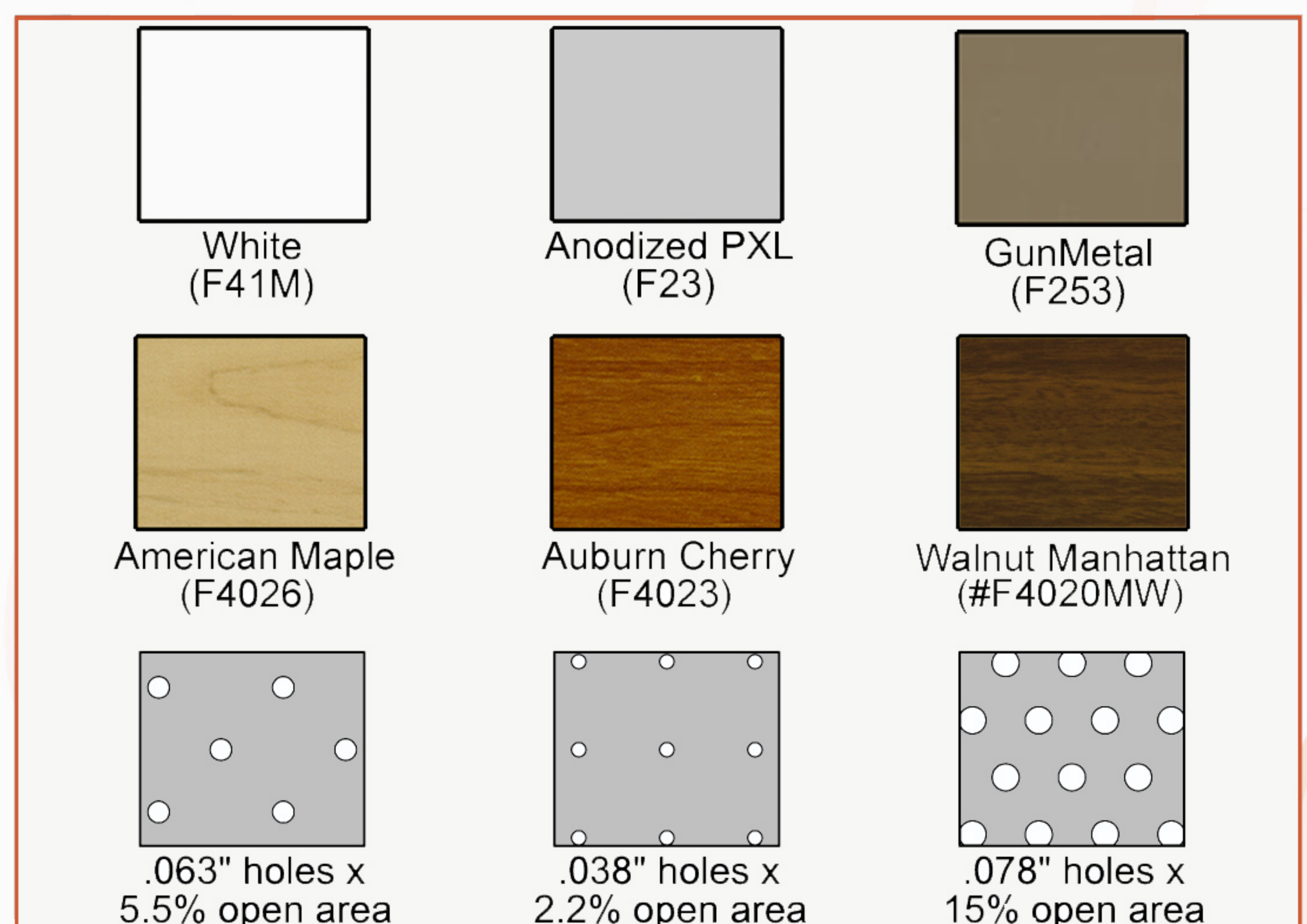
Installation



Standard Heights



Popular Finish/ Perf



**AMERICAN DECORATIVE
CEILINGS & WALLS**

(ALL RIGHTS RESERVED)

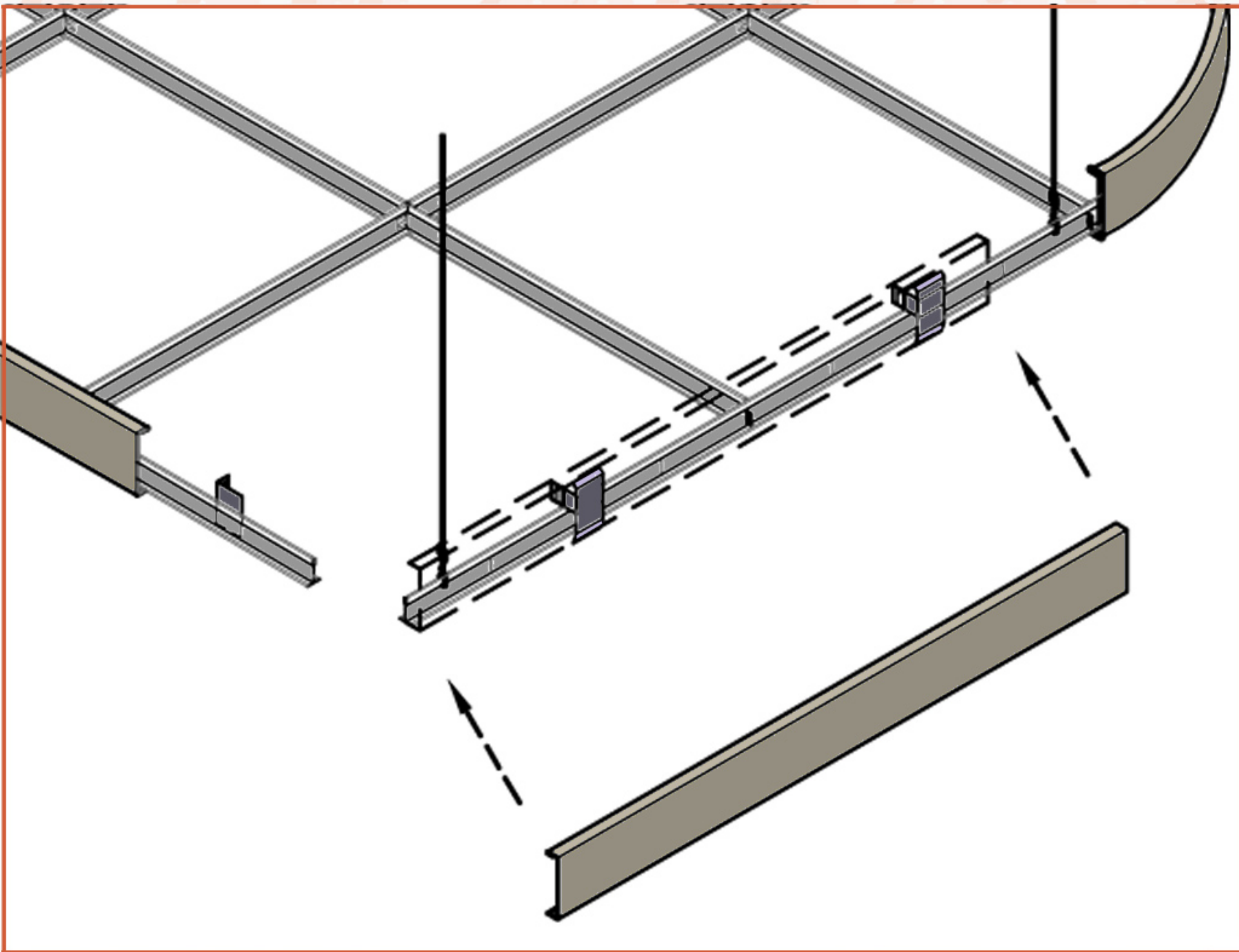
CLRE CS PG6.PDF

Mail: Post Office Box 605605 - Cleveland, Ohio 44105
Packages: 4510 East 71st St. - Cleveland, Ohio 44105
Telephone: (216) 341-2222 - Fax: (800) 336-8501
email: info@amer-dec.com

CL5

Scored Edge CLOUDLINER

☐ Clouliner SE - Photo



☐ Clouliner SE Data

TRIM SIZES: Standard are 2"; 4"; 6"; 8"; 10"; & 12".
Non-standard are in 1" increments to 24".
Standard Length is 12' for straight sections.

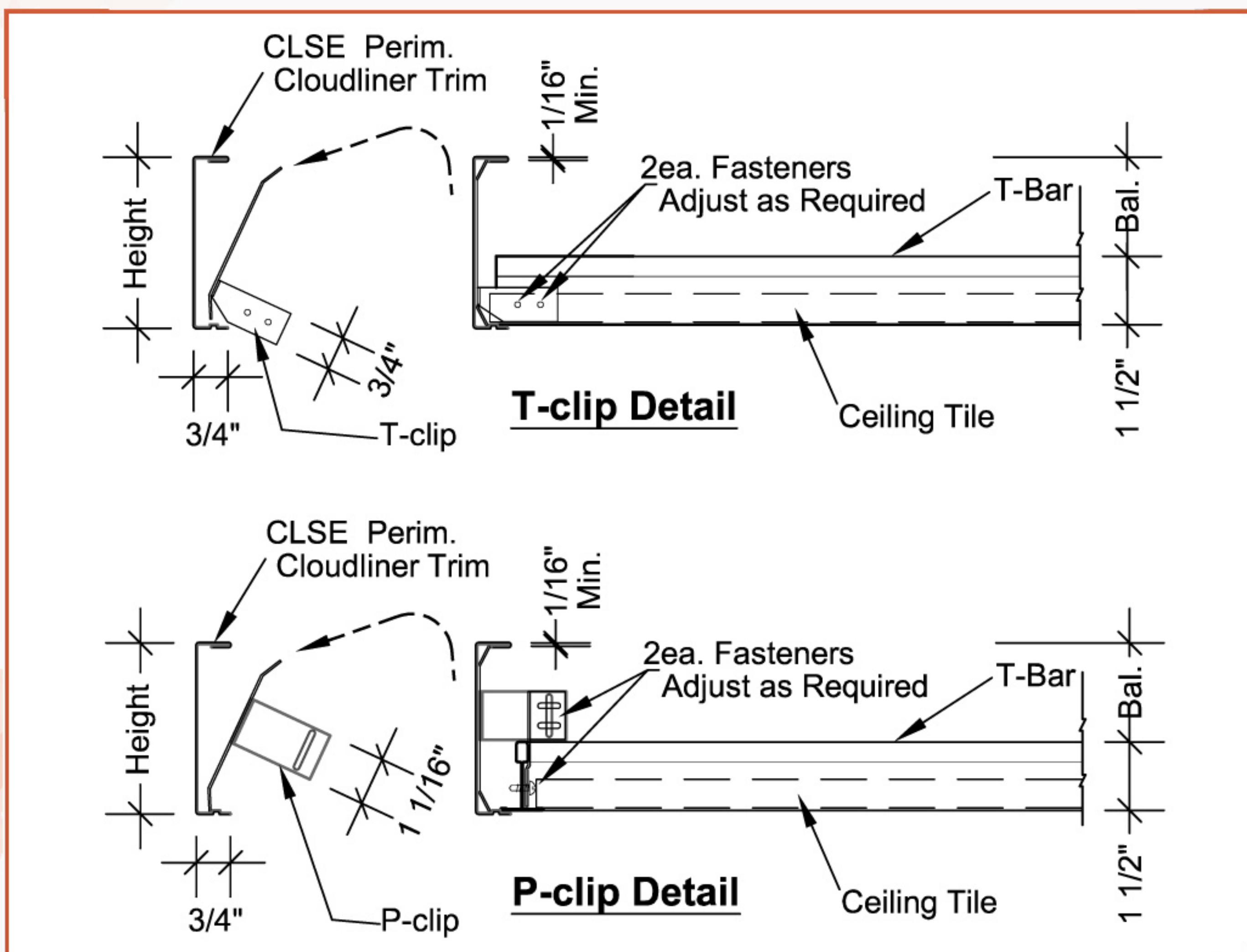
FINISHES: Standard metal are White, Satin Silver, or Gun Metal. Custom Painted are polyurethane epoxy. Premo Wood Laminate are Maple, Cherry, and Walnut.

FIRE CODE: Panel is Class 1 Material per ASTM-E84. Fire-Rated T-Bar Suspension available upon request.

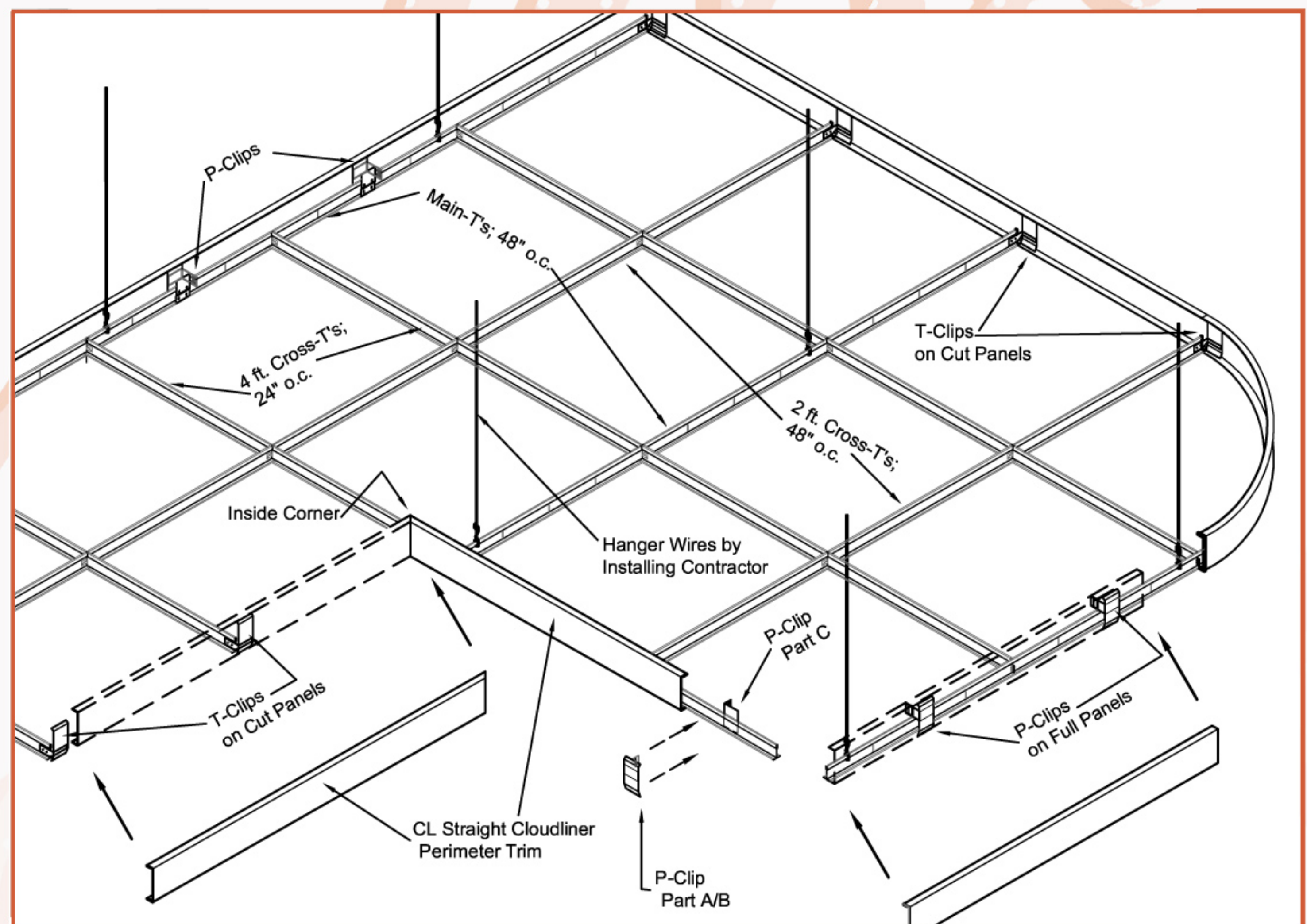
MATERIAL: Recommended minimum for Flange legs of Clouliner Profile is 1/16" thickness aluminum.

LEEDs: Upto 90% for aluminum panel, 20% galvanized.

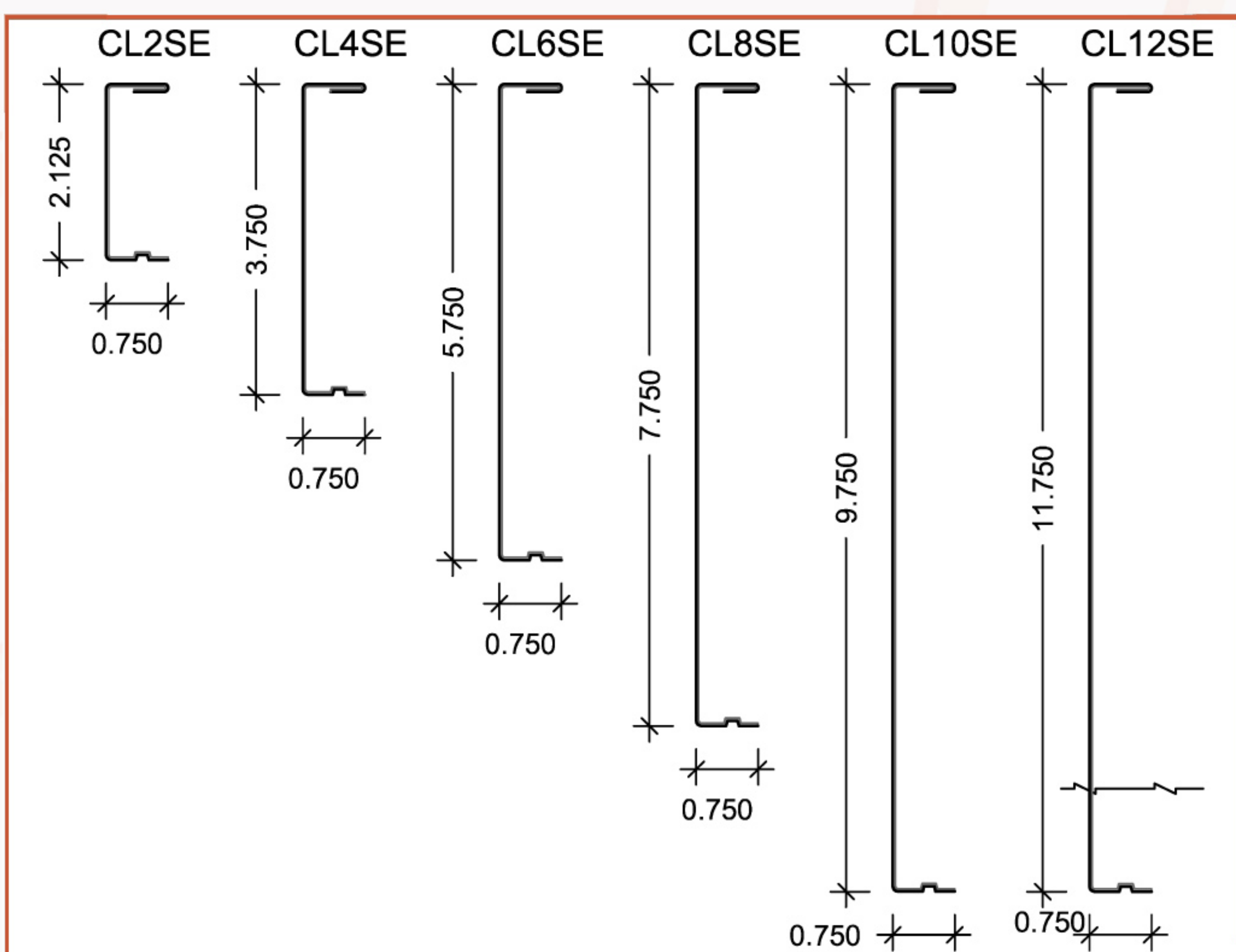
☐ Attachment Options



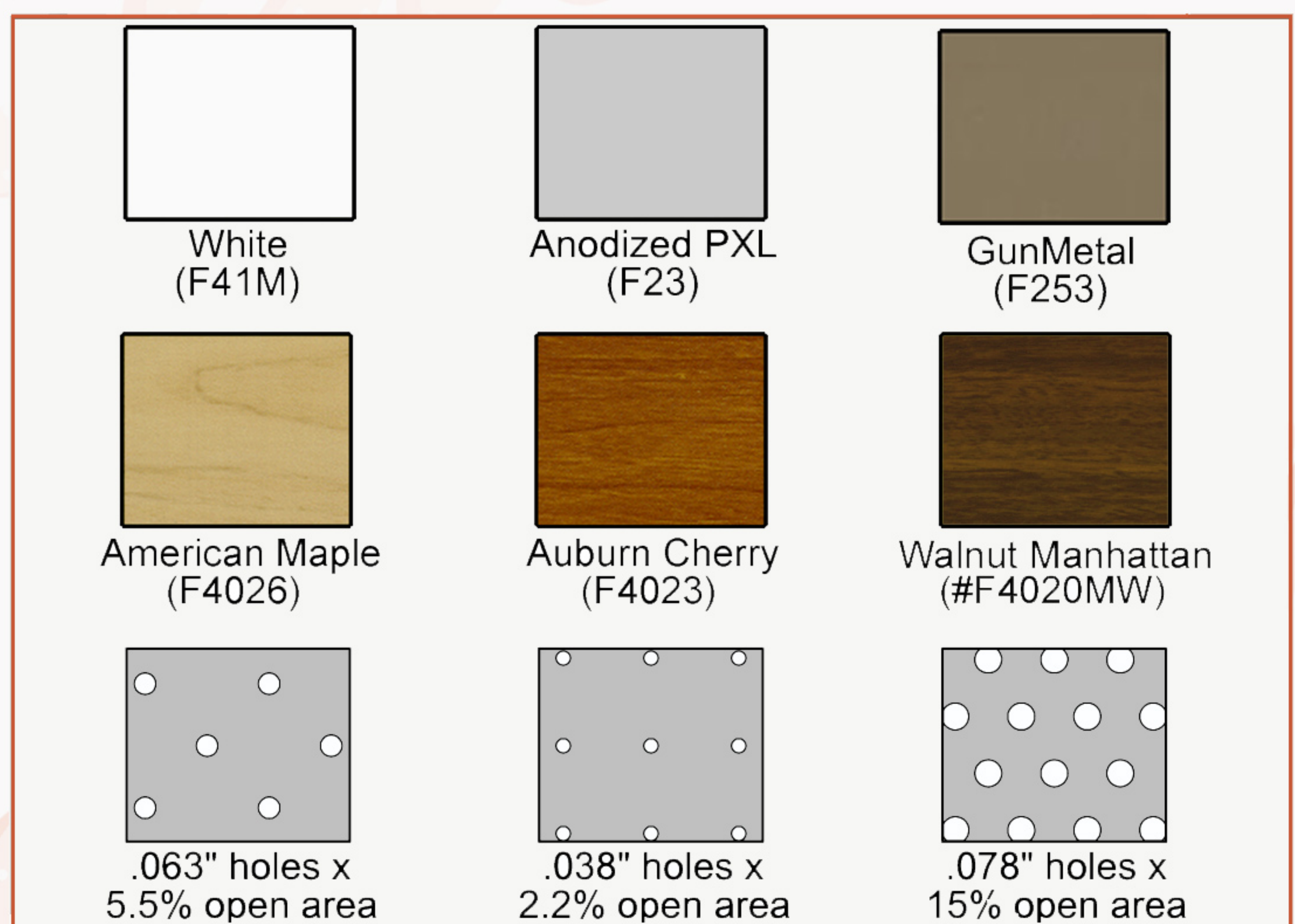
☐ Installation



☐ Standard Sizes

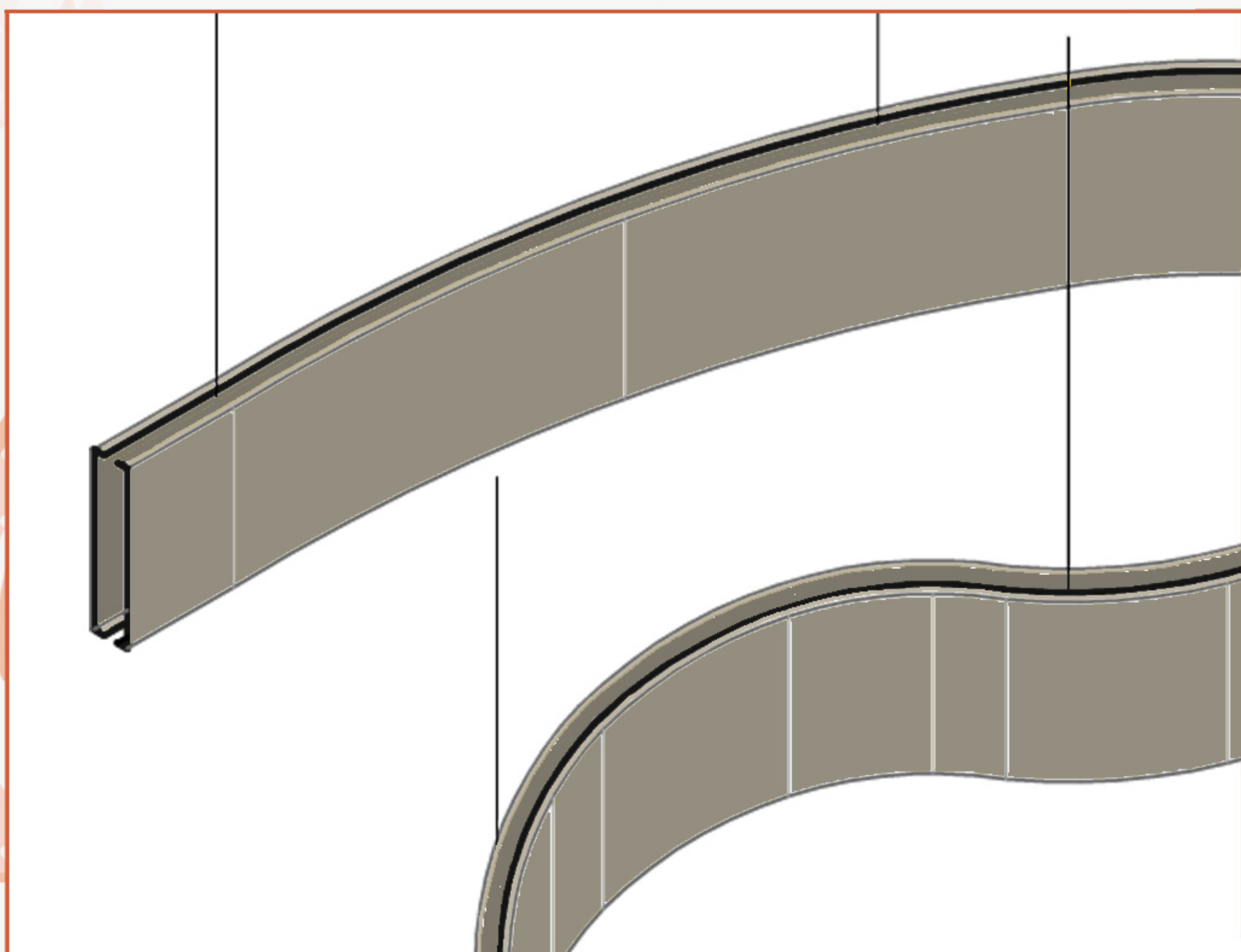


☐ Standard Finish/ Perf



Times Two CLOUDLINER

☐ Clouliner Times Two - Iso



☐ Clouliner CLx2 Data

TRIM SIZES: Standard are 2"; 4"; 6"; 8"; 10"; & 12".
Non-standard are in 1" increments to 24".
Standard Length is 12' for straight sections.

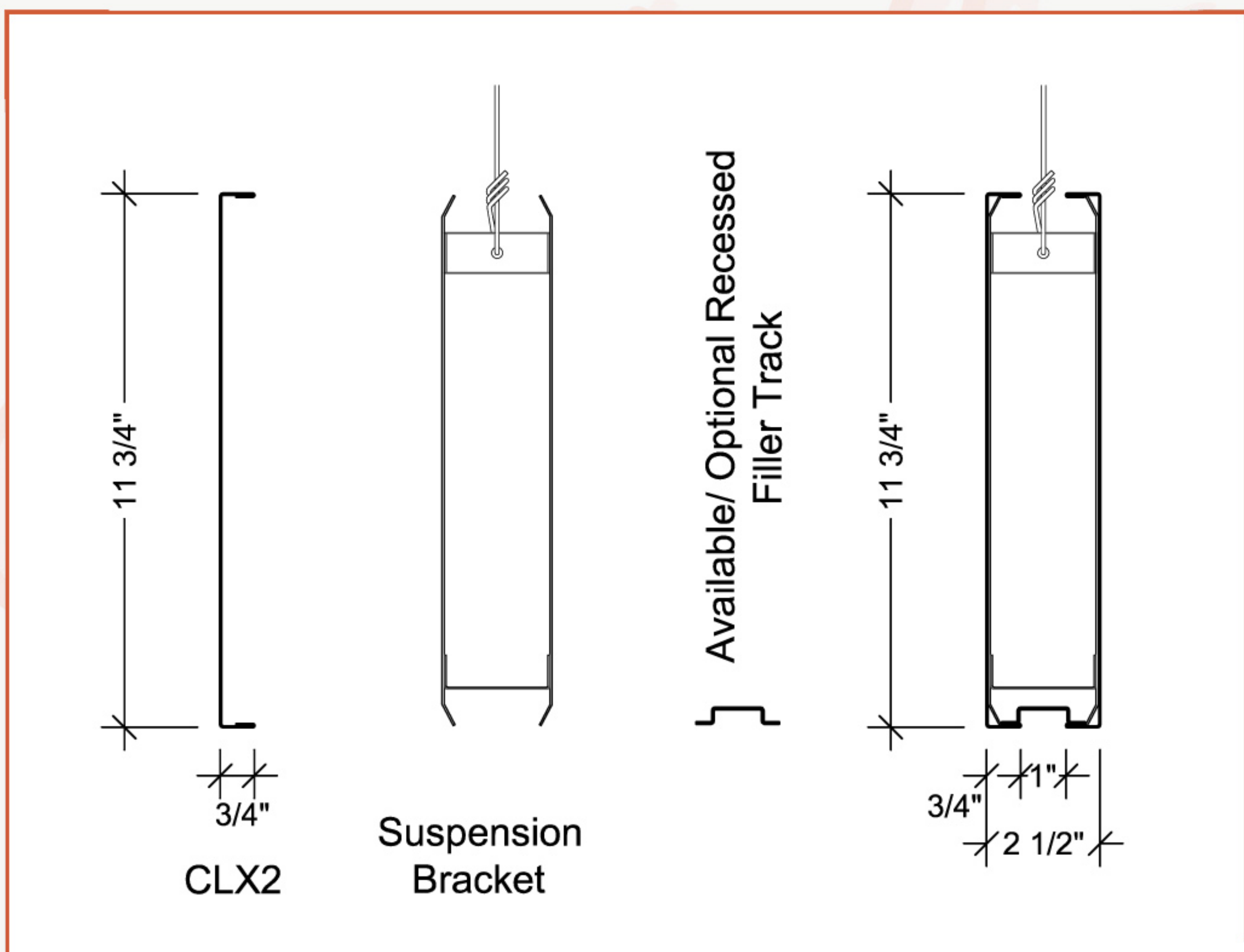
FINISHES: Standard metal are White, Satin Silver, or Gun Metal. Custom Painted are polyurethane epoxy. Premo Wood Laminate are Maple, Cherry, and Walnut.

FIRE CODE: Panel is Class 1 Material per ASTM-E84. Fire-Rated T-Bar Suspension available upon request.

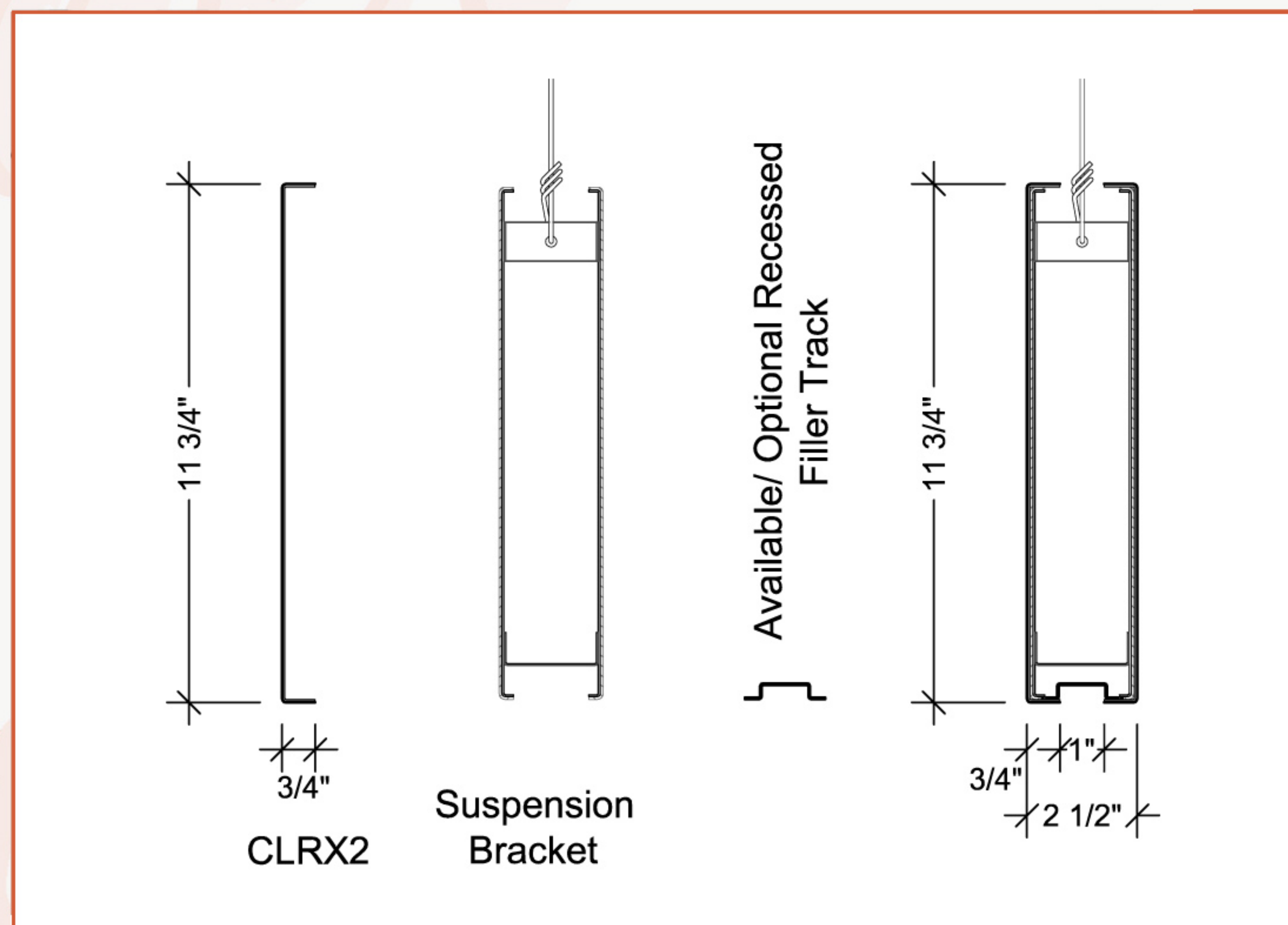
MATERIAL: Recommended minimum for Flange legs of Clouliner Profile is 1/16" thickness aluminum.

LEEDs: Upto 90% for aluminum panel, 20% galvanized.

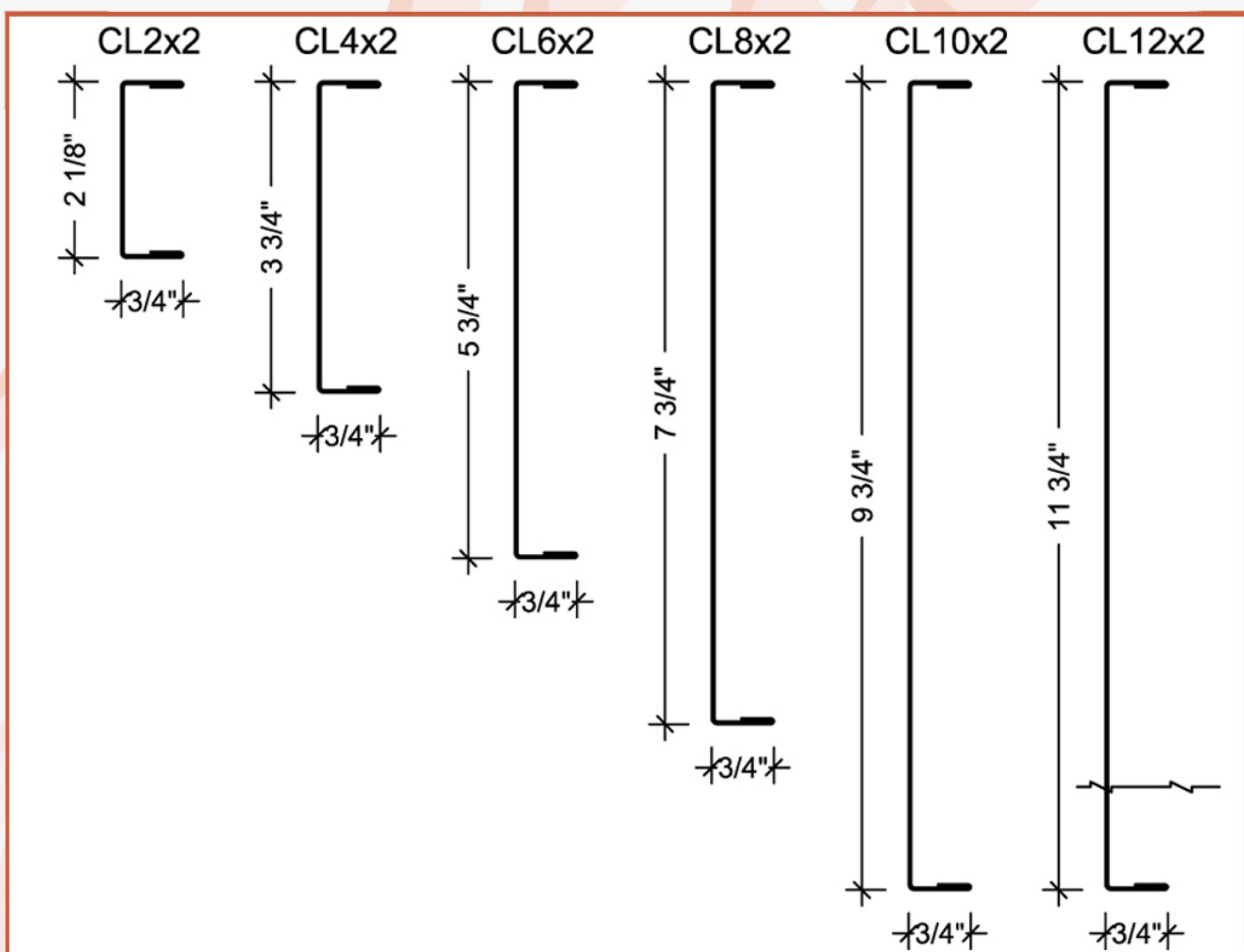
☐ Straight Section



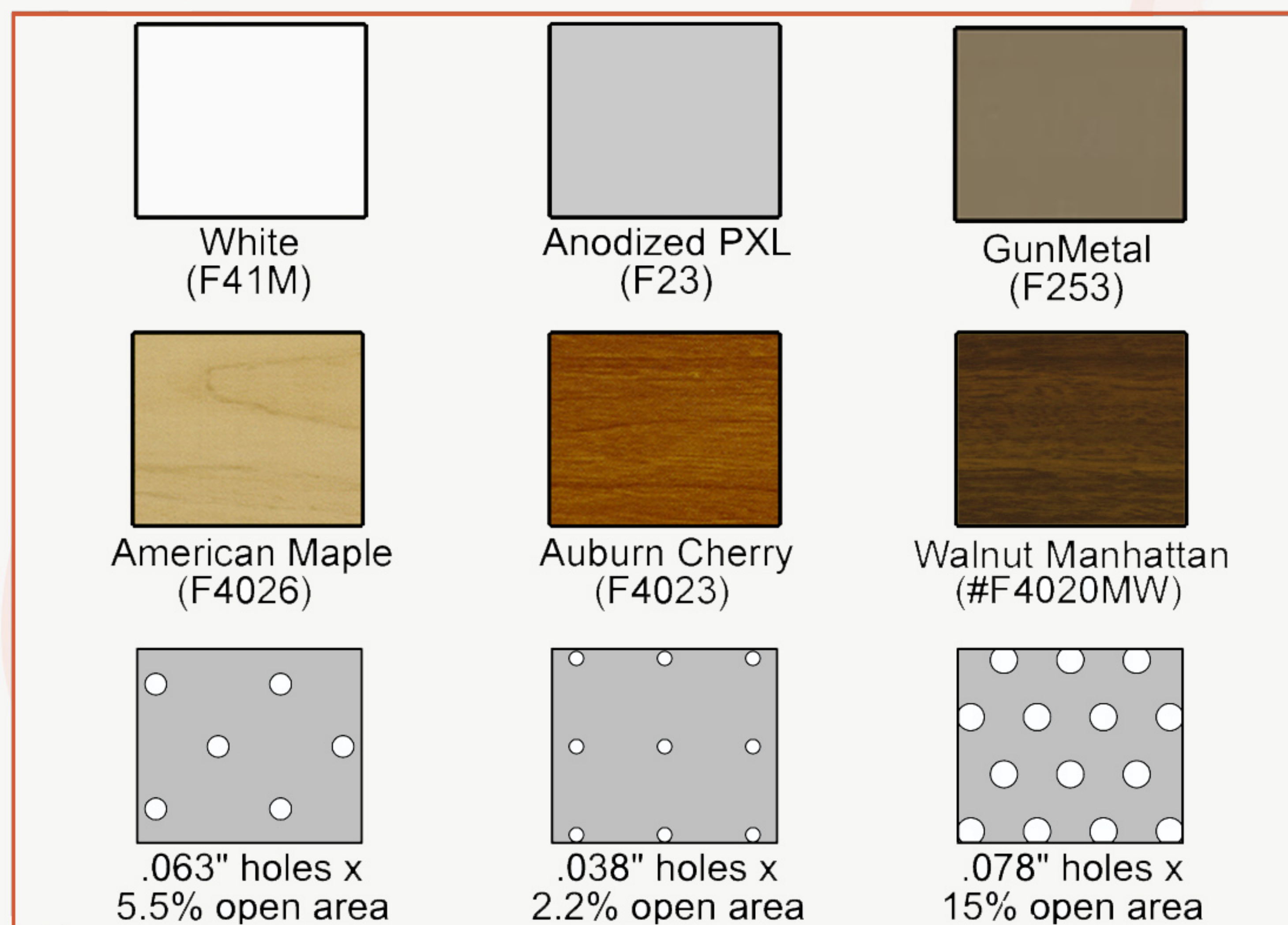
☐ Curved Section



☐ Standard Heights



☐ Popular Finish/ Perf



**AMERICAN DECORATIVE
CEILINGS & WALLS**

(ALL RIGHTS RESERVED)

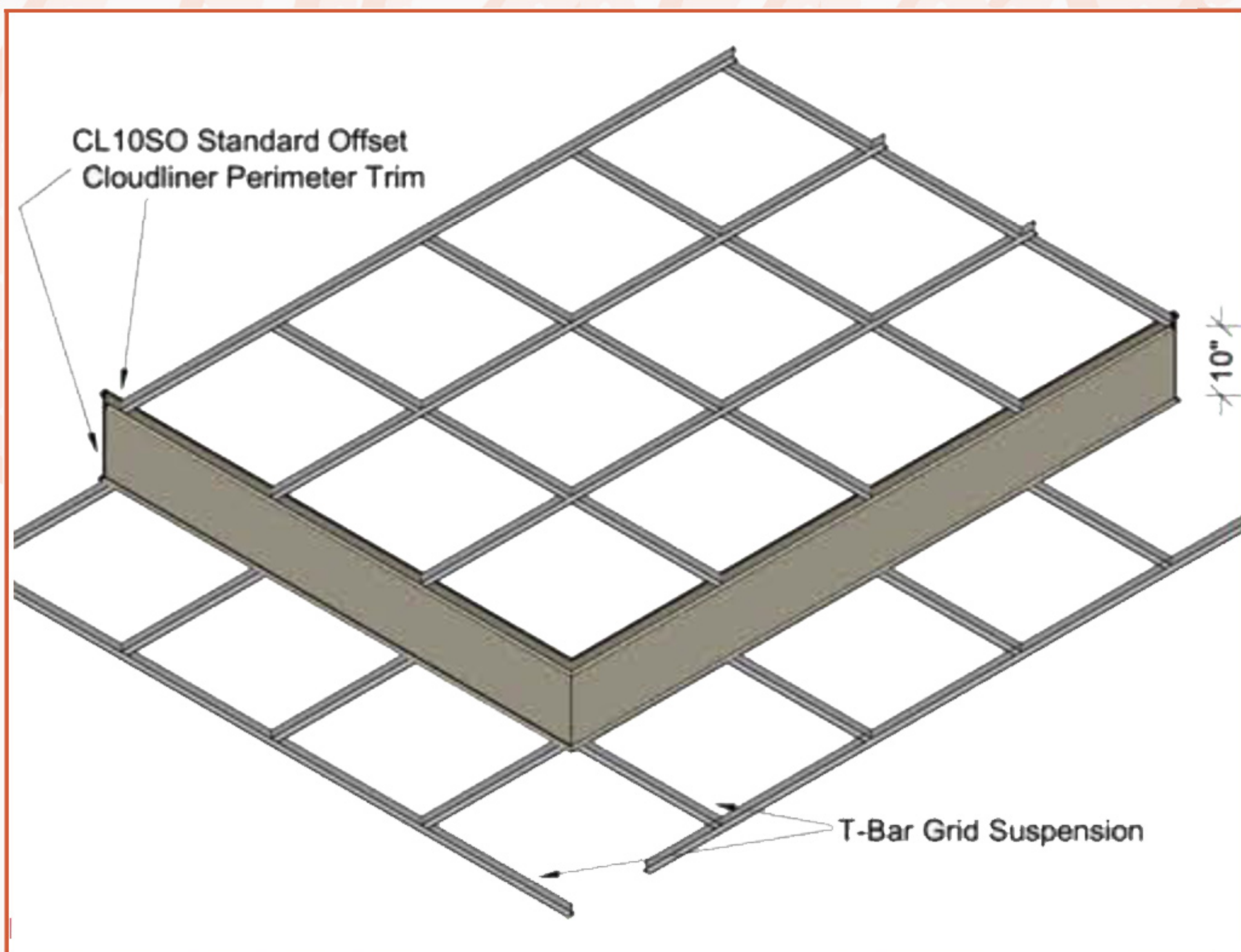
CLx2 CS PG7.PDF

Mail: Post Office Box 605605 - Cleveland, Ohio 44105
Packages: 4510 East 71st St. - Cleveland, Ohio 44105
Telephone: (216) 341-2222 - Fax: (800) 336-8501
email: info@amer-dec.com

CL7

Standard Offset CLOUDLINER

☐ Clouliner SO - Iso



☐ Clouliner SO Data

TRIM SIZES: Standard are 2"; 6"; & 10".
Non-standard are in 2" increments to 22".
Standard Length is 12' for straight sections.

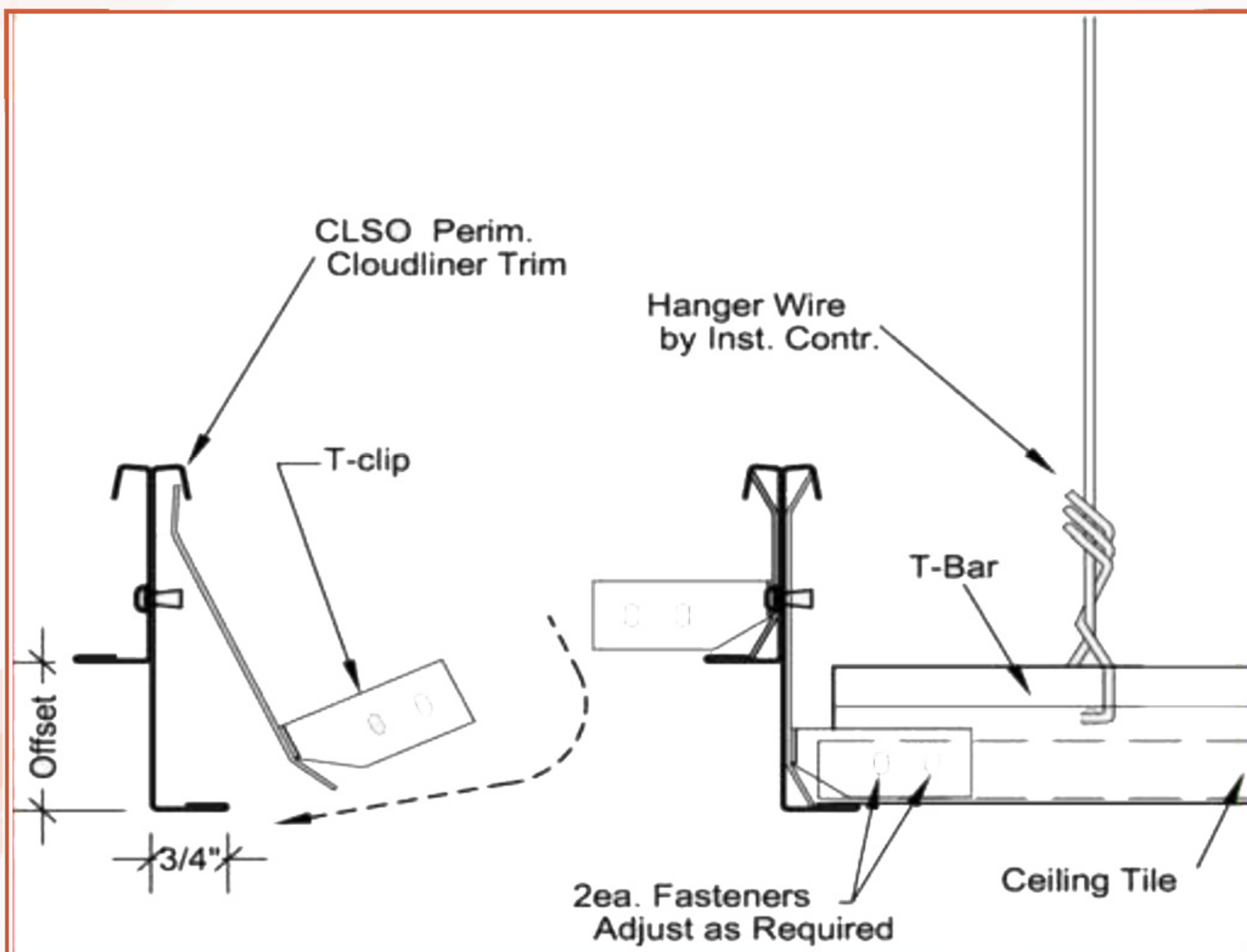
FINISHES: Standard metal are White, Satin Silver, or Gun Metal. Custom Painted are polyurethane epoxy. Premo Wood Laminate are Maple, Cherry, and Walnut.

FIRE CODE: Panel is Class 1 Material per ASTM-E84. Fire-Rated T-Bar Suspension available upon request.

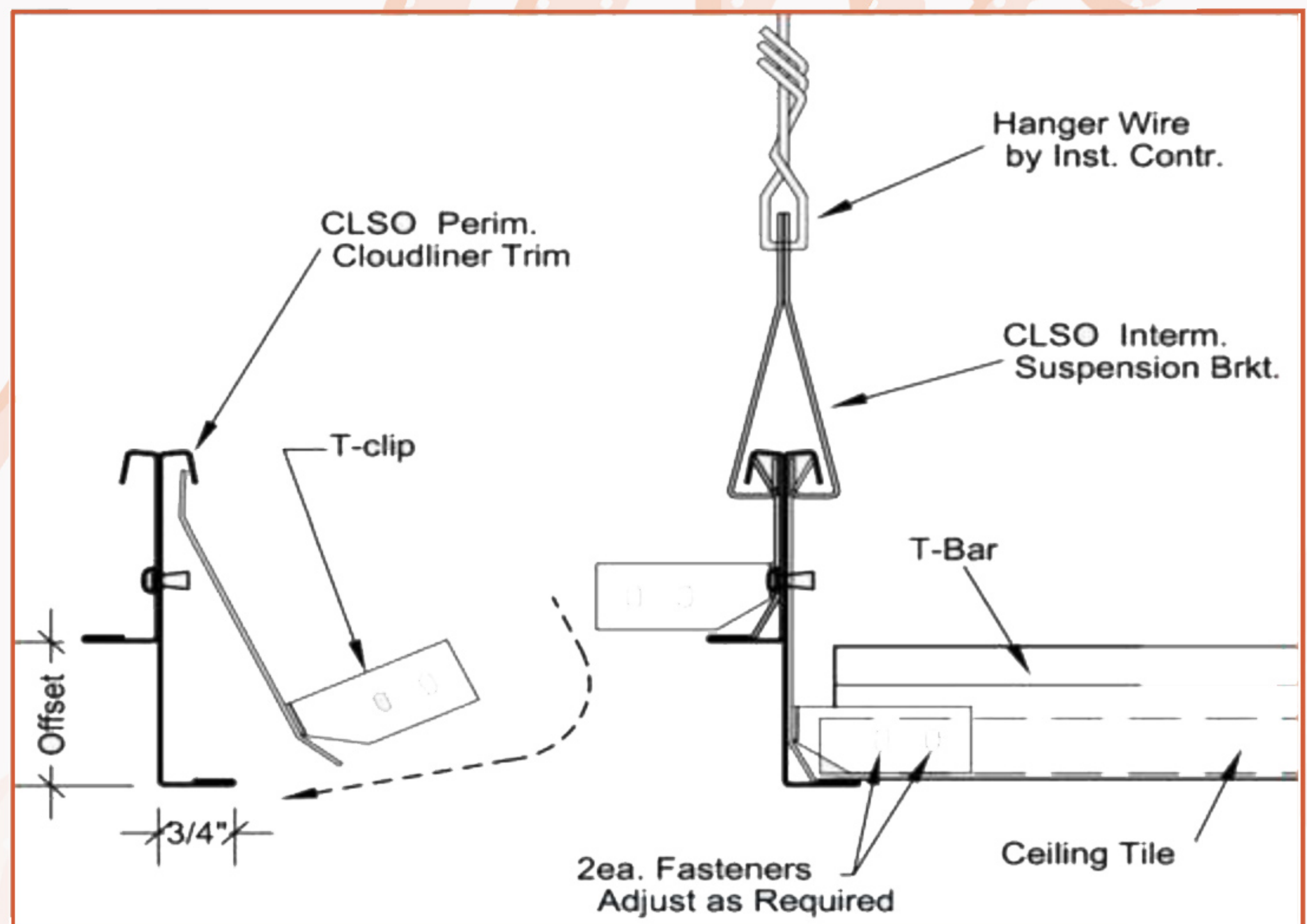
MATERIAL: Recommended minimum for Flange legs of Clouliner Profile is 1/16" thickness aluminum.

LEEDs: Upto 90% for aluminum panel, 20% galvanized.

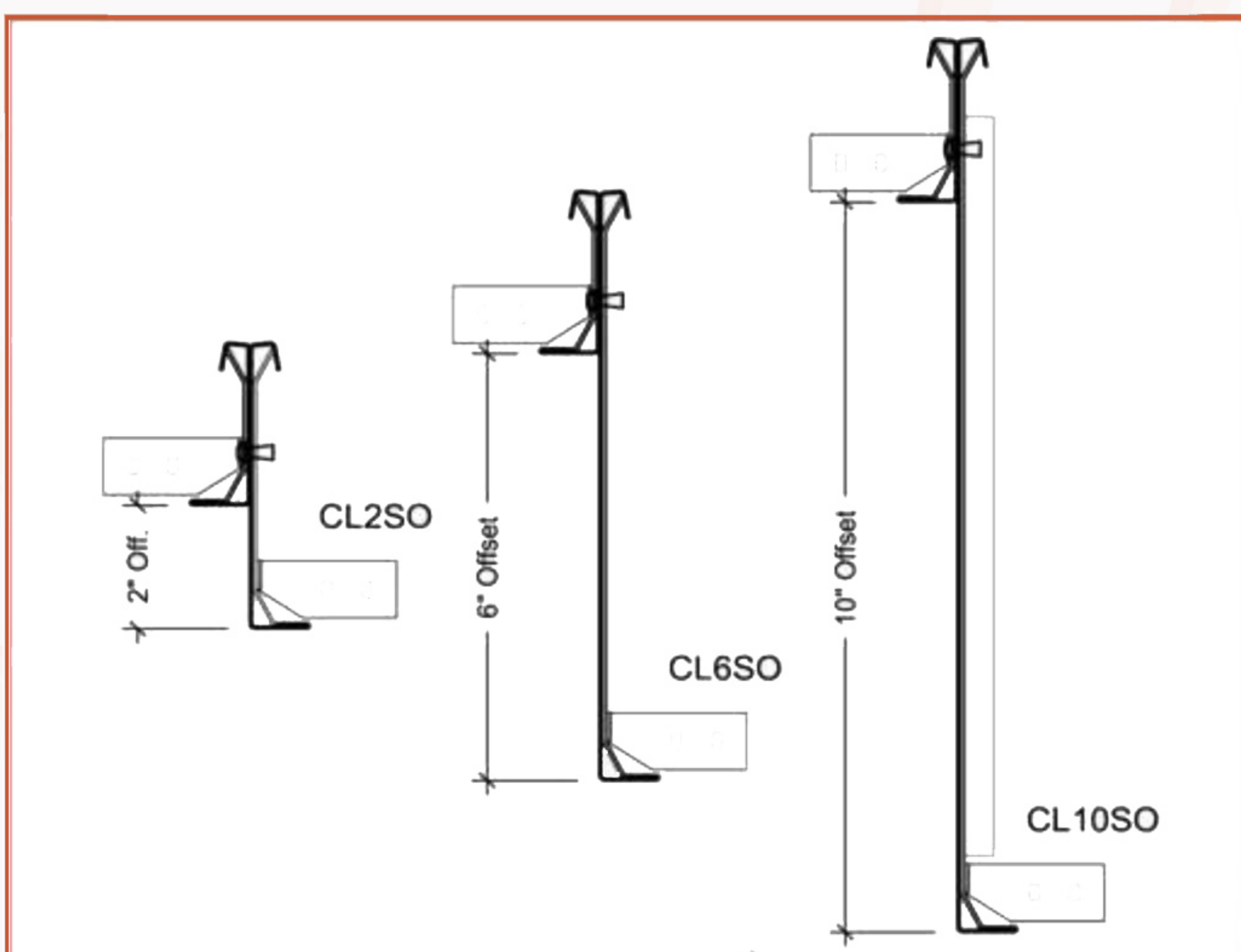
☐ Suspension Detail - Typical



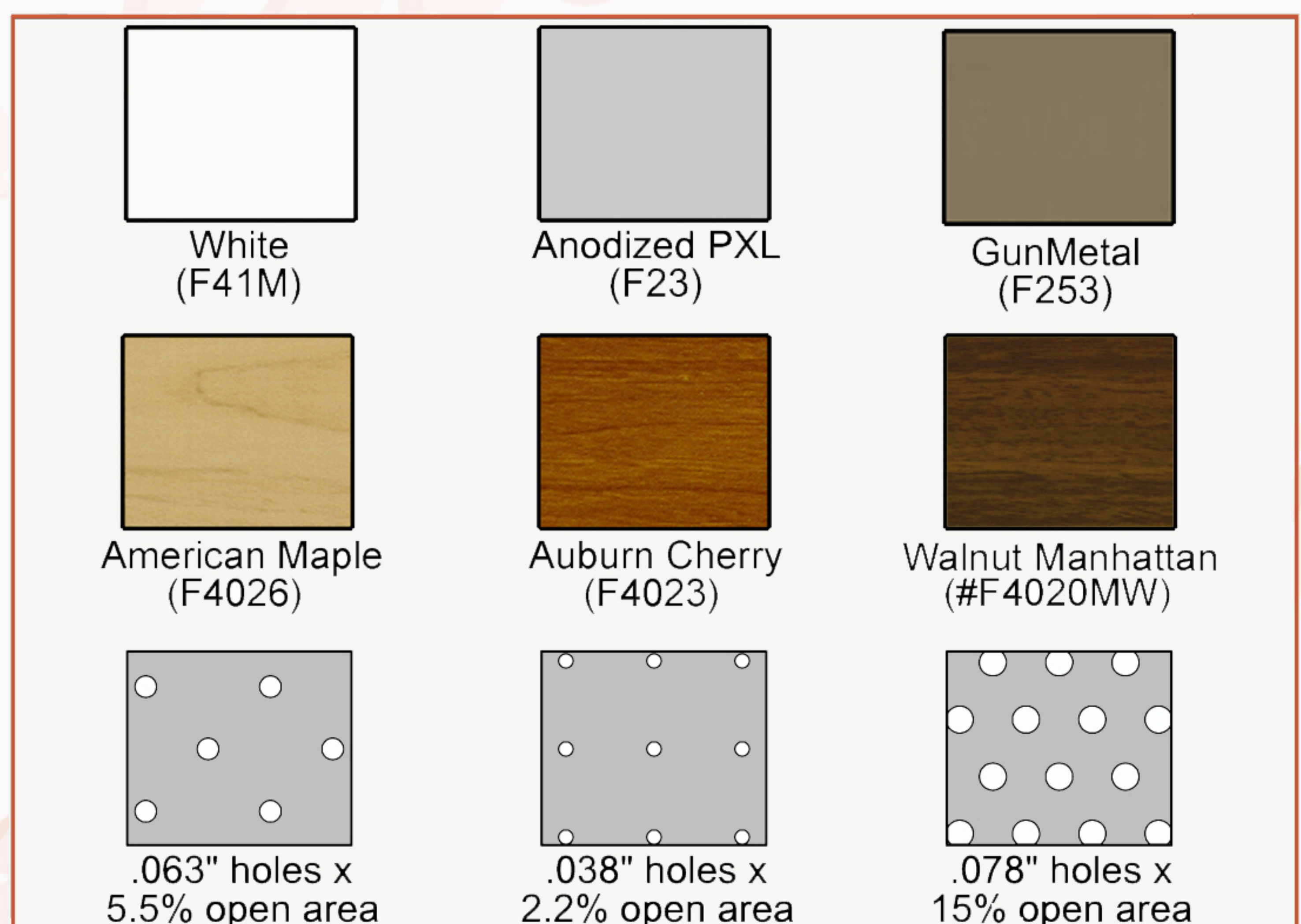
☐ Suspension Detail - Alternate



☐ Standard Offsets

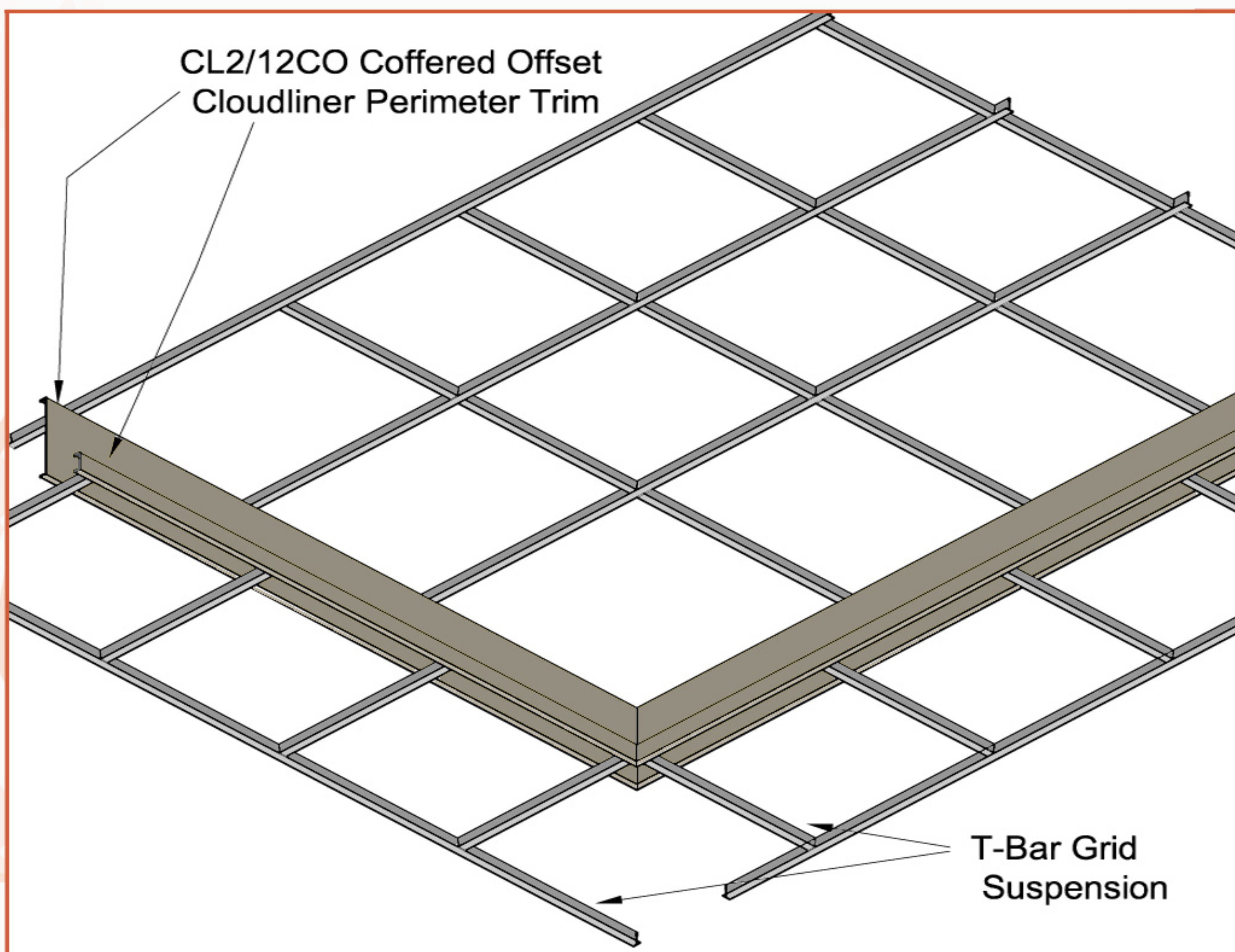


☐ Standard Finish/ Perf



Coffered CLOUDLINER

☐ Clouliner Coffered - Iso



☐ Clouliner CLCO Data

TRIM SIZES: Standard are 2"; 4"; 6"; 8"; 10"; & 12".
Non-standard are in 1" increments to 24".
Standard Length is 12' for straight sections.

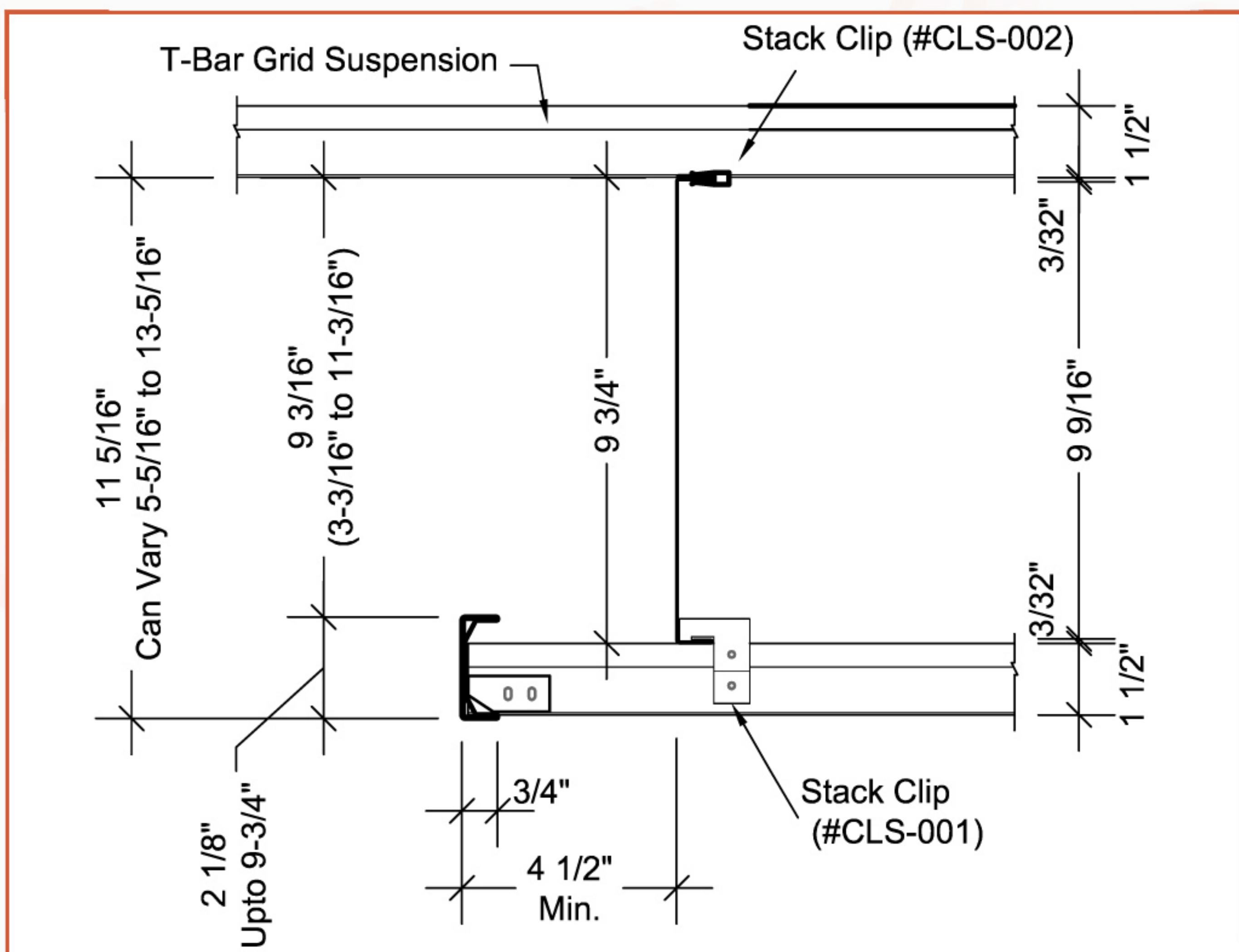
FINISHES: Standard metal are White, Satin Silver, or Gun Metal. Custom Painted are polyurethane epoxy. Premo Wood Laminate are Maple, Cherry, and Walnut.

FIRE CODE: Panel is Class 1 Material per ASTM-E84. Fire-Rated T-Bar Suspension available upon request.

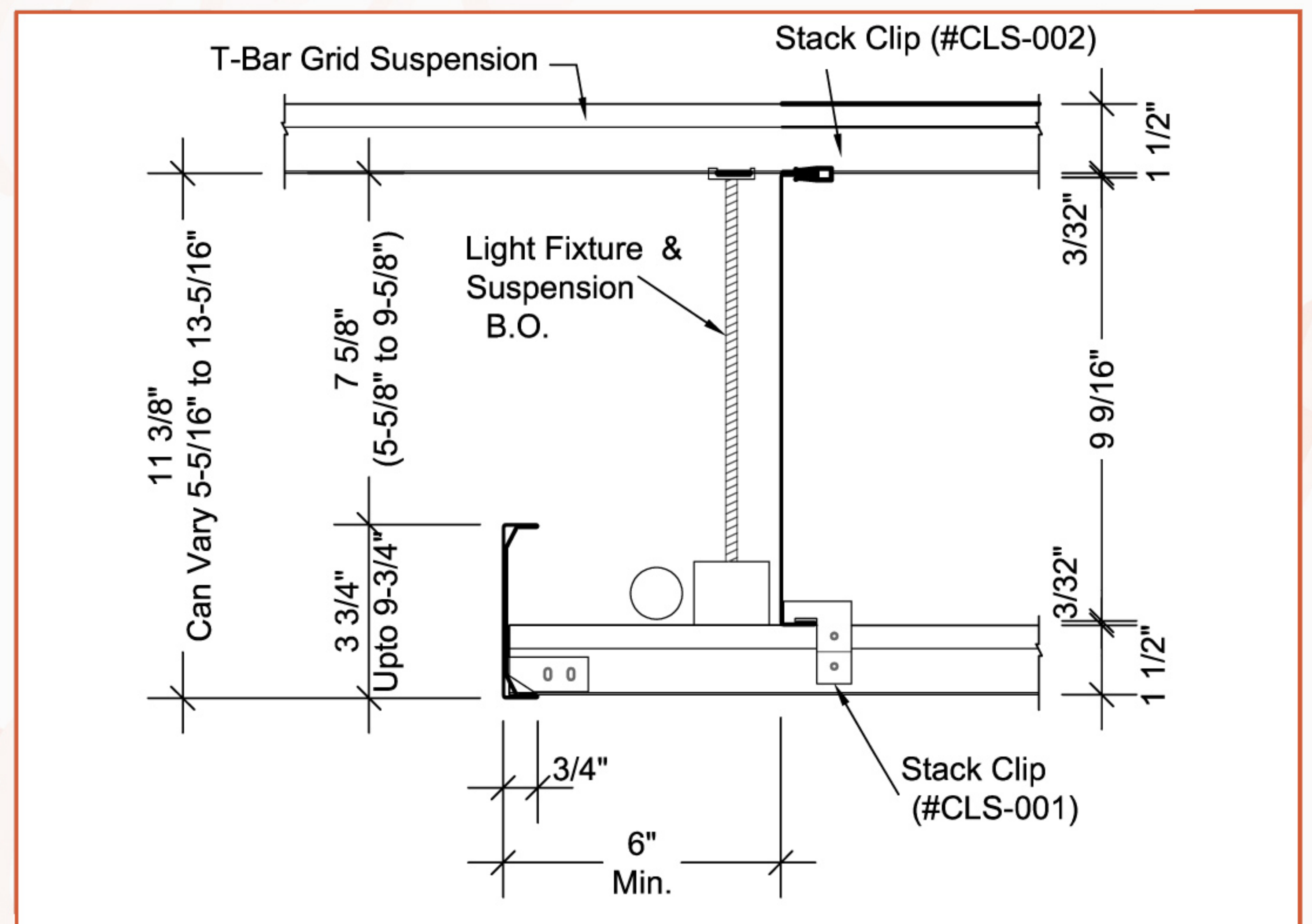
MATERIAL: Recommended minimum for Flange legs of Clouliner Profile is 1/16" thickness aluminum.

LEEDs: Upto 90% for aluminum panel, 20% galvanized.

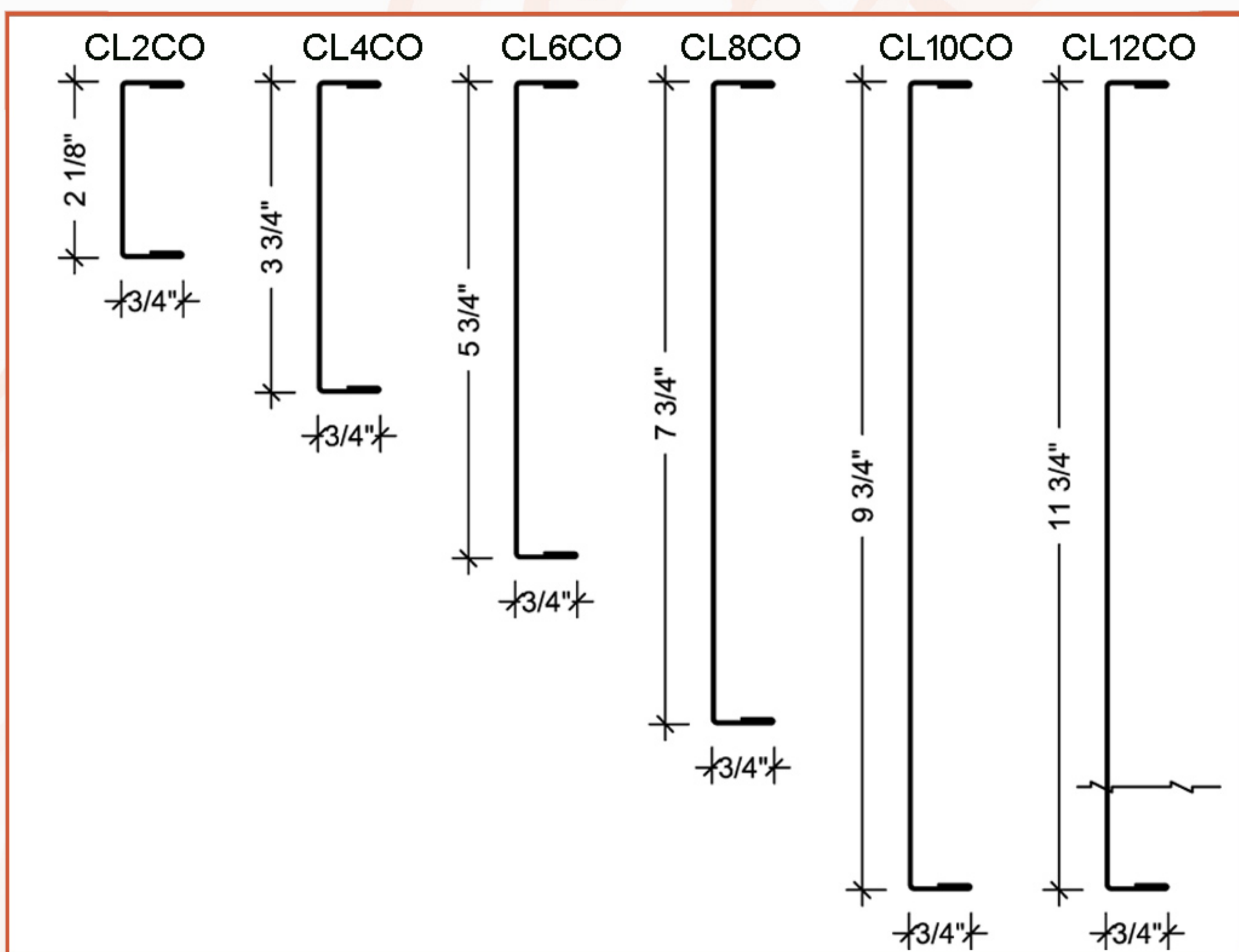
☐ Standard Coffered



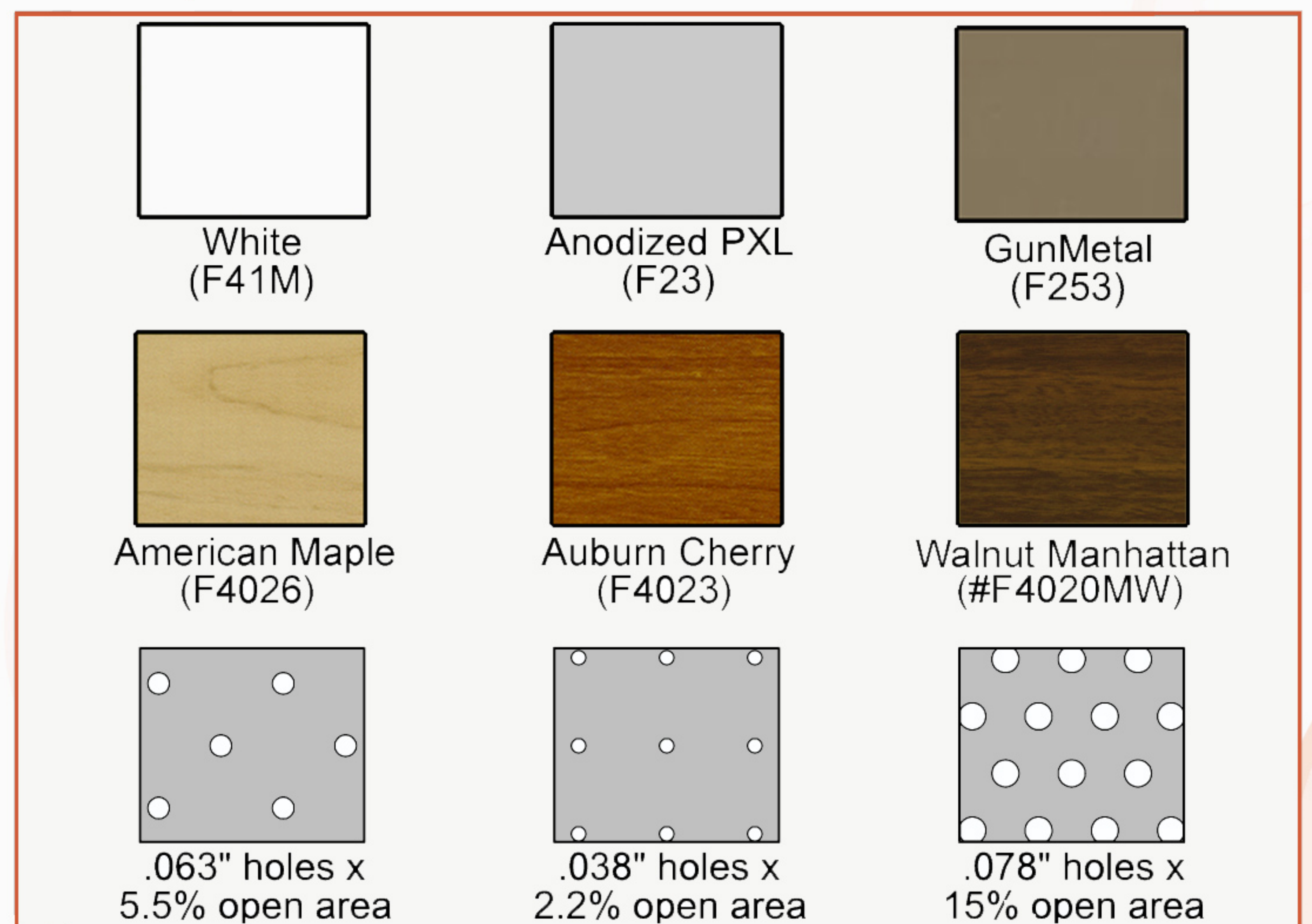
☐ Illuminated Coffered



☐ Standard Heights



☐ Popular Finish/ Perf



**AMERICAN DECORATIVE
CEILINGS & WALLS**

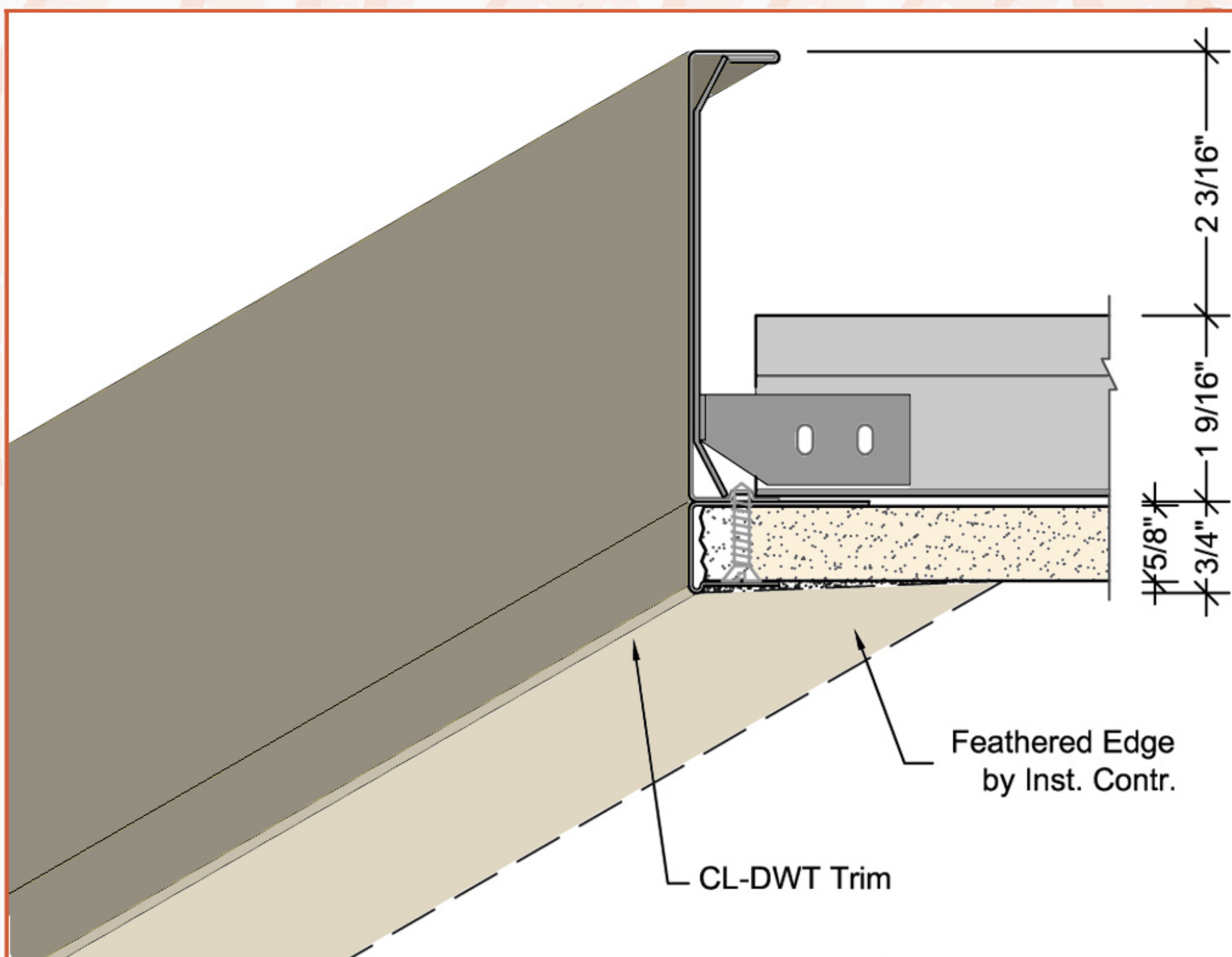
(ALL RIGHTS RESERVED)

CLCO CS PG9.PDF

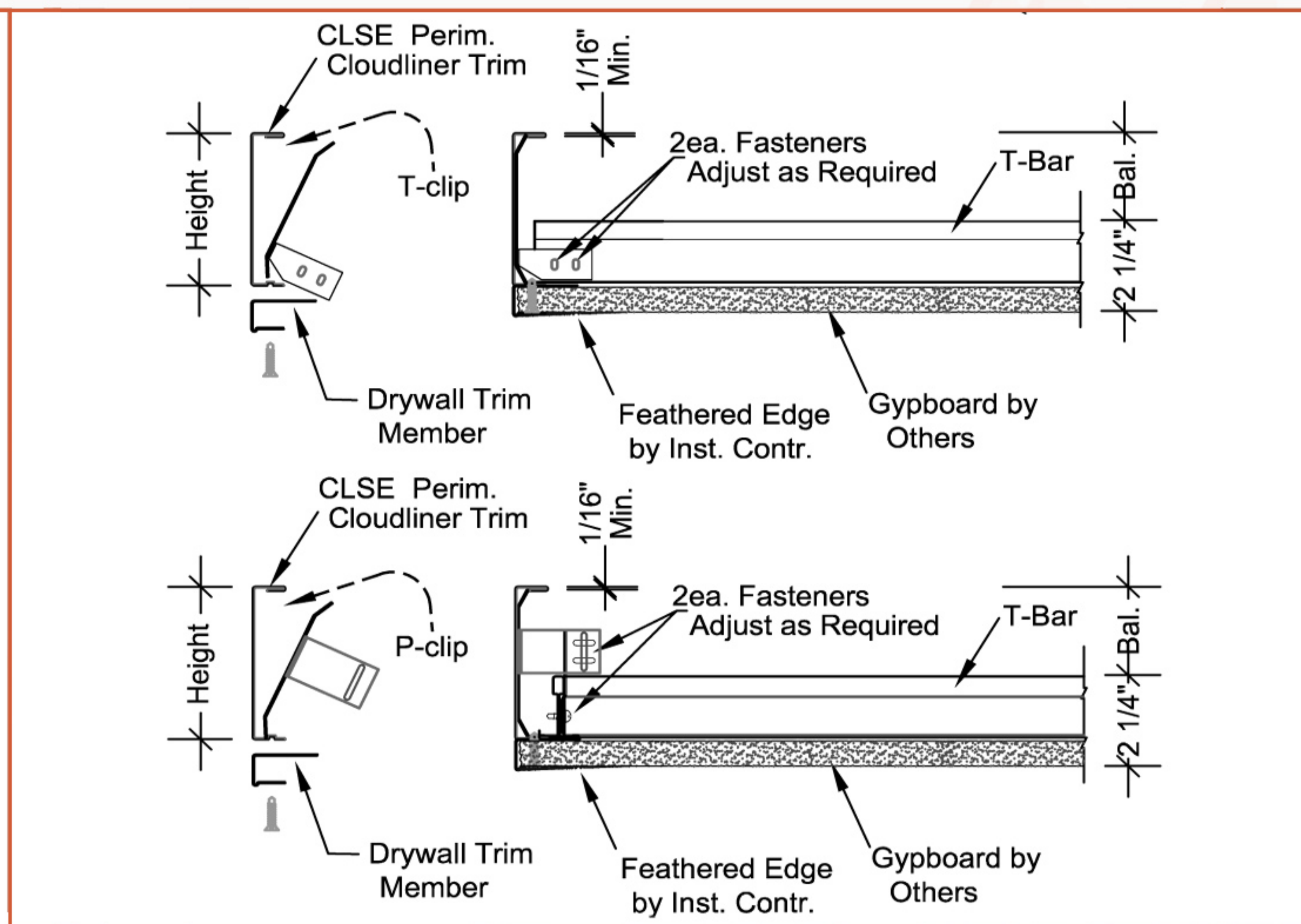
Mail: Post Office Box 605605 - Cleveland, Ohio 44105
Packages: 4510 East 71st St. - Cleveland, Ohio 44105
Telephone: (216) 341-2222 - Fax: (800) 336-8501
email: info@amer-dec.com

Accessories For CLOUDLINER

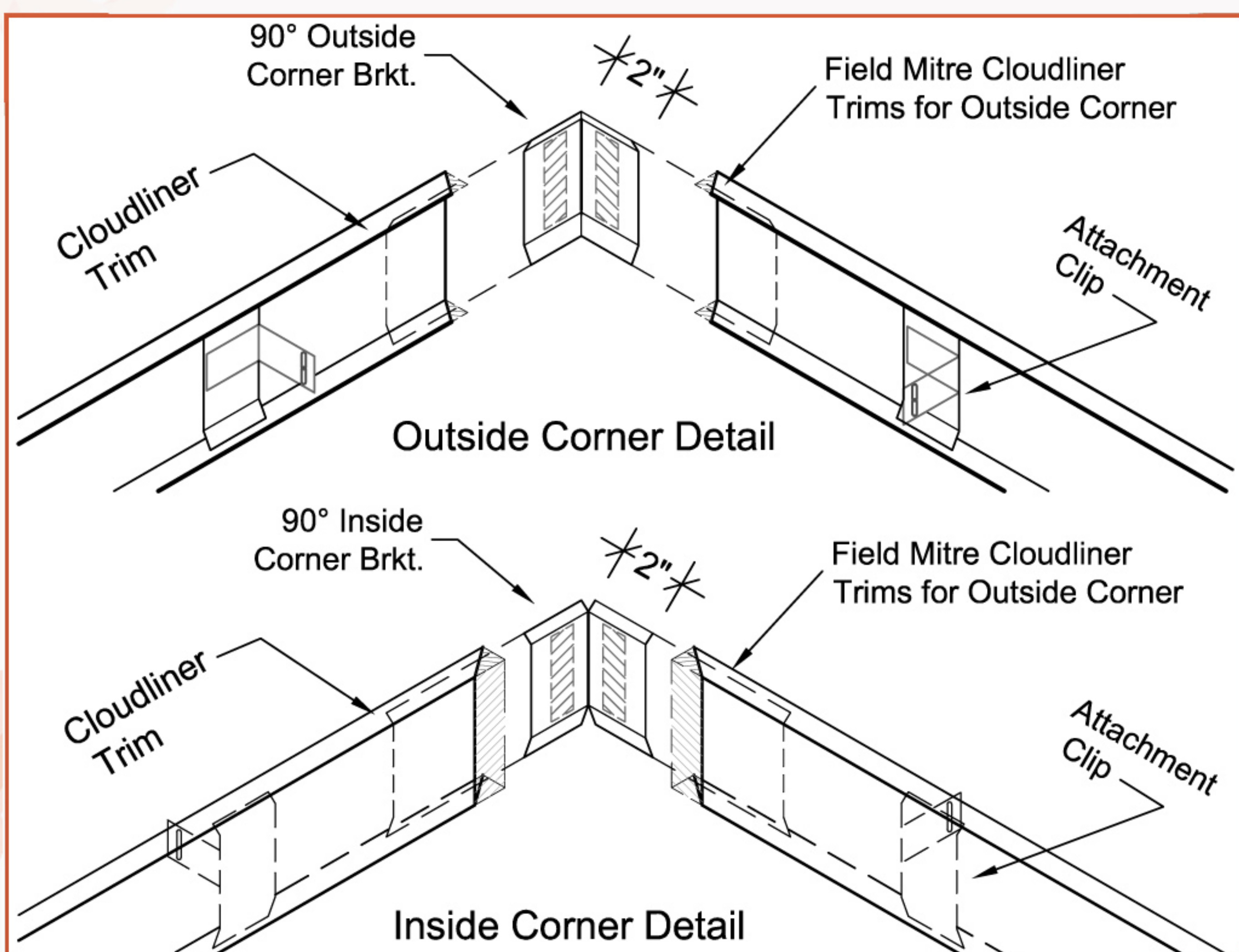
□ Drywall Trim- Iso



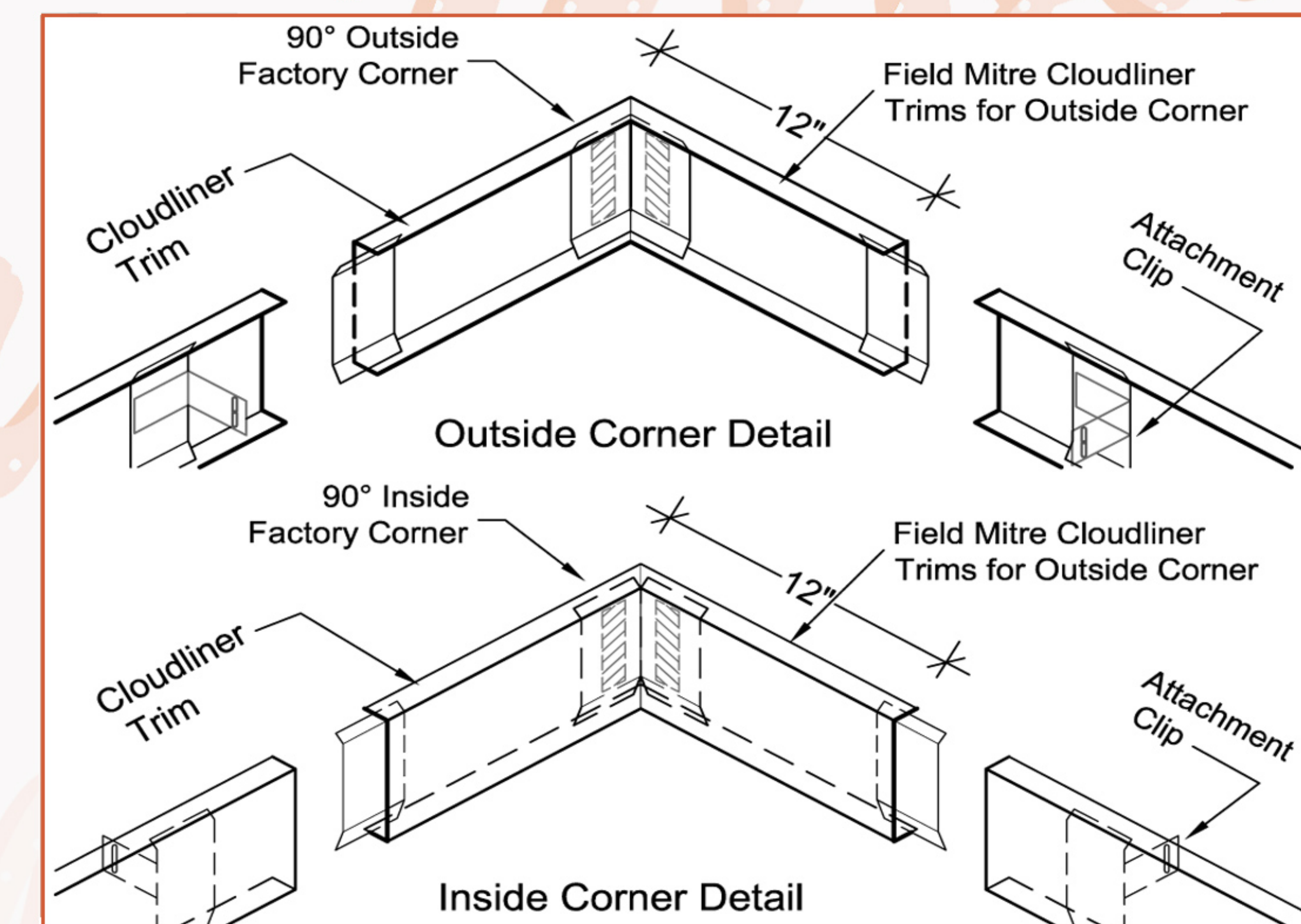
□ DWT- Add-on



□ Field Cut Corner



□ Factory Cut Corner Kit



□ Other Available Finishes

White (F41M)	Herringbone (F809)	Cranberry (F820)	Terra Cotta (F209)	Royal Brown (F202)	Musket (F250)	Victorian (F102)	Anodized PXL (F23)
GunMetal (F253)	Black (F42)	Desert Sand (F303)	Wicker (F713)	Norwegian (F791)	Hickory (F238)	Almond (F219)	Antique Ivory (F105)
Ivy (F821)	Forest Green (F204)	Brite Clear (F28)	Brushed Clear (F98)	Brite Brass (FA27)	Brushed Brass (FA22)	Brite Copper (FA47)	Penny Copper (F96PP)

Note: Finishes are electronic or graphic representations. For actual appearance Contact Factory for physical sample.

